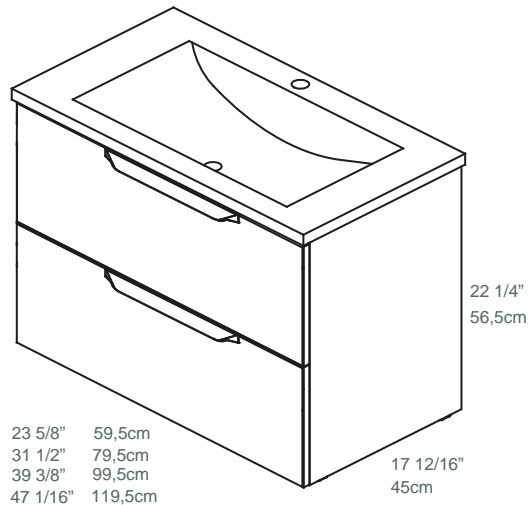
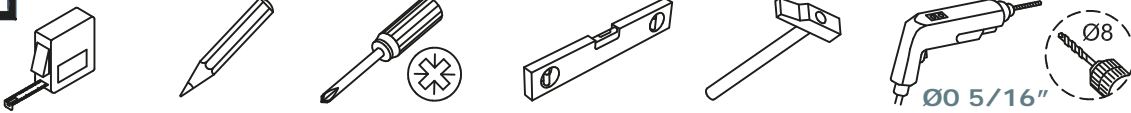




1-00'-00"



01.

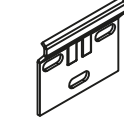


Ø8

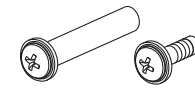
Ø0 5/16" x4



T1x4

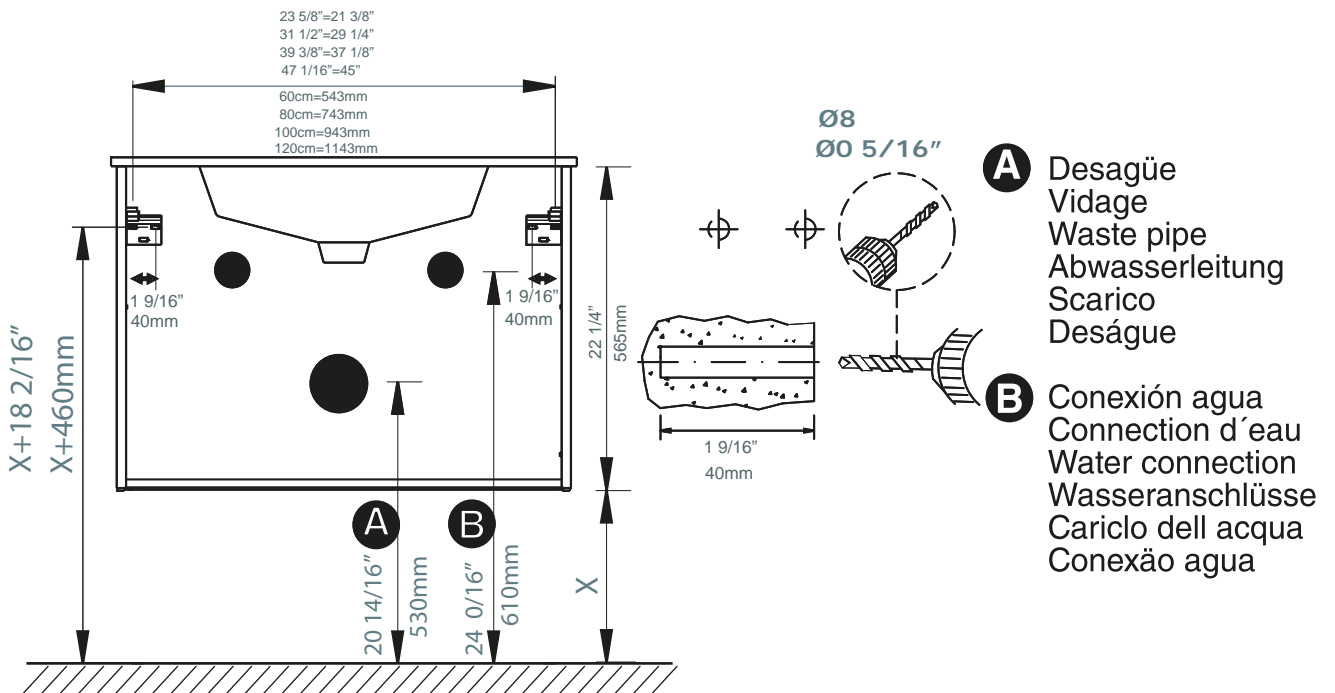
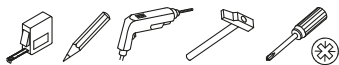


x2

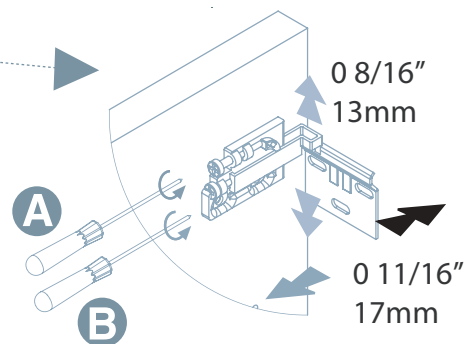
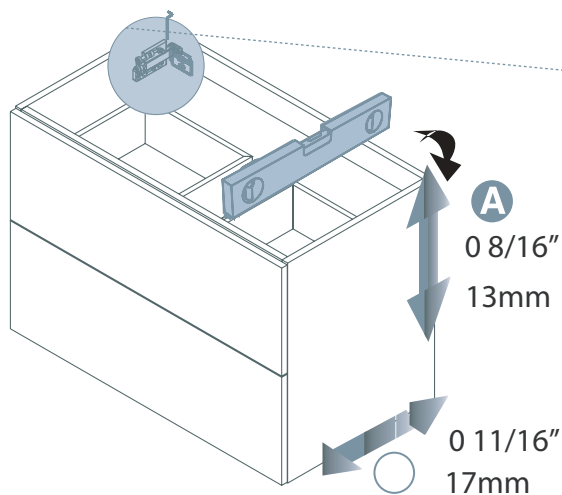
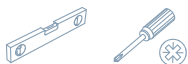


T2x2

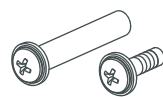
02.



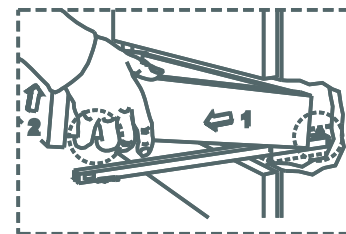
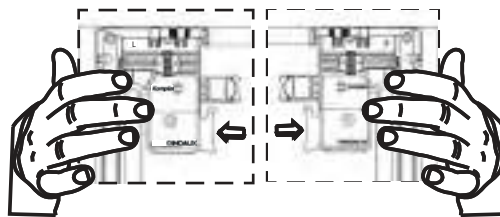
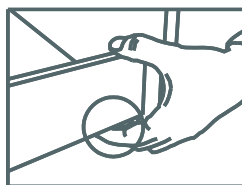
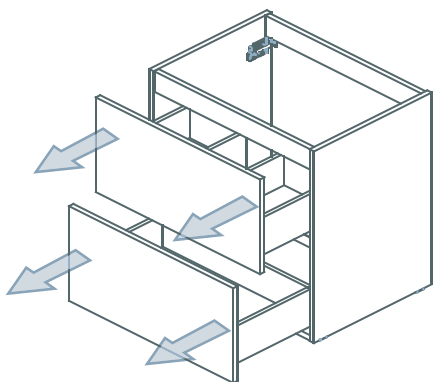
03.



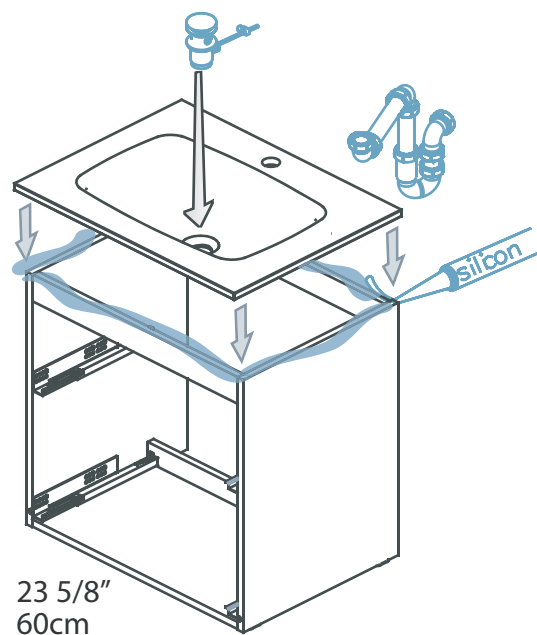
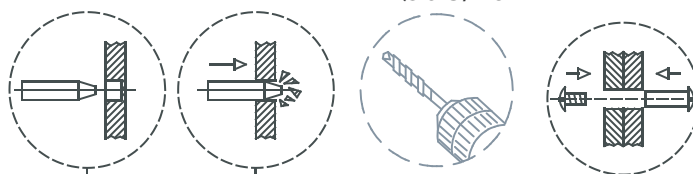
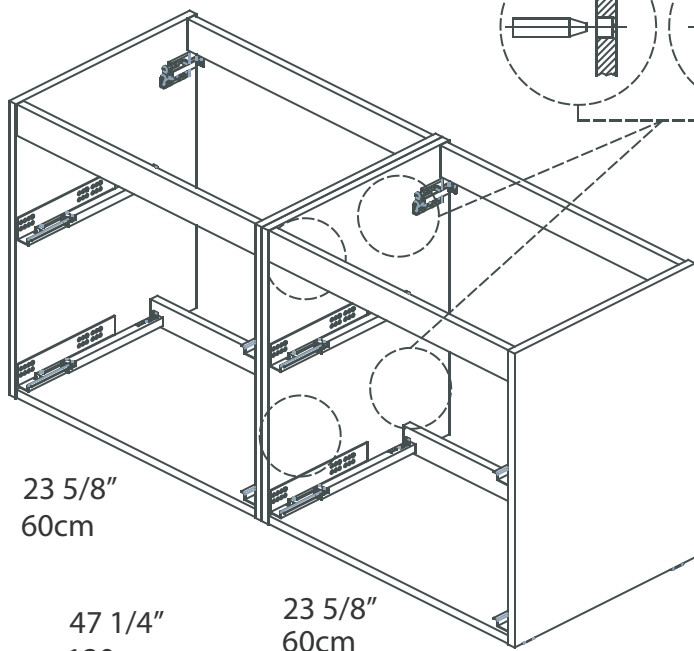
04.



T2x2(x2)

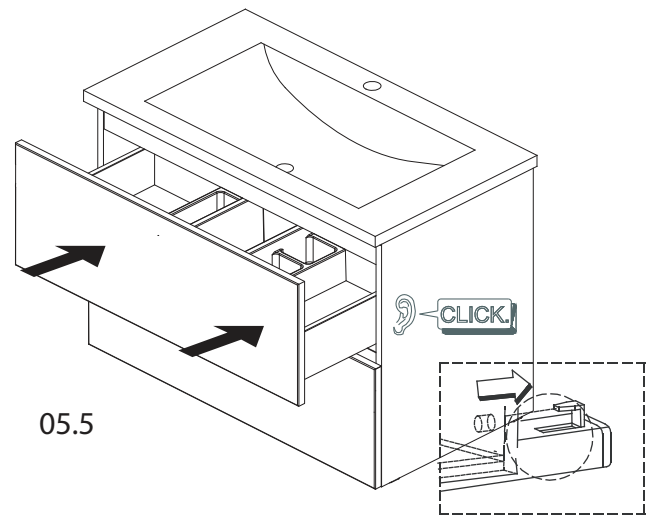
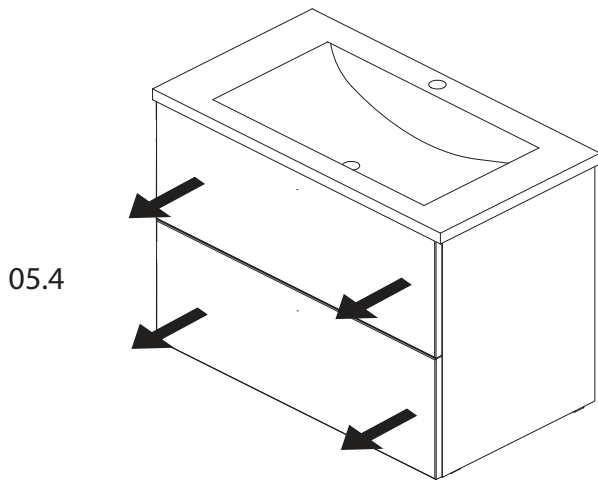
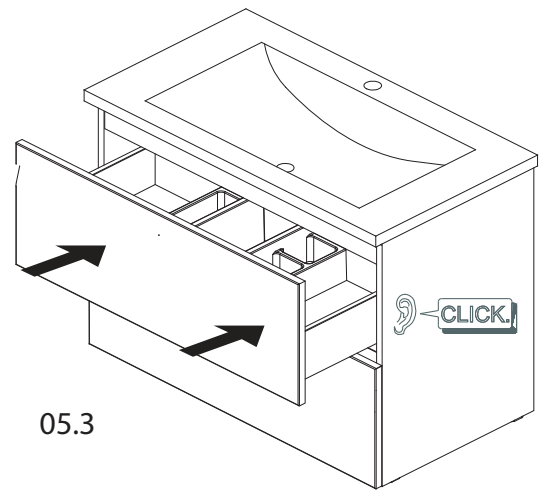
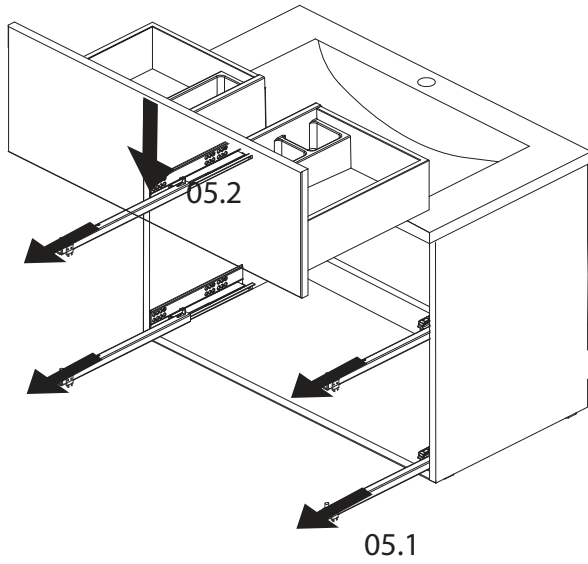


Ø5
Ø0 3/16"

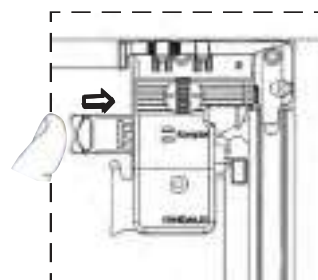
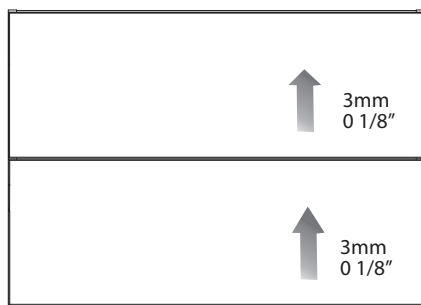
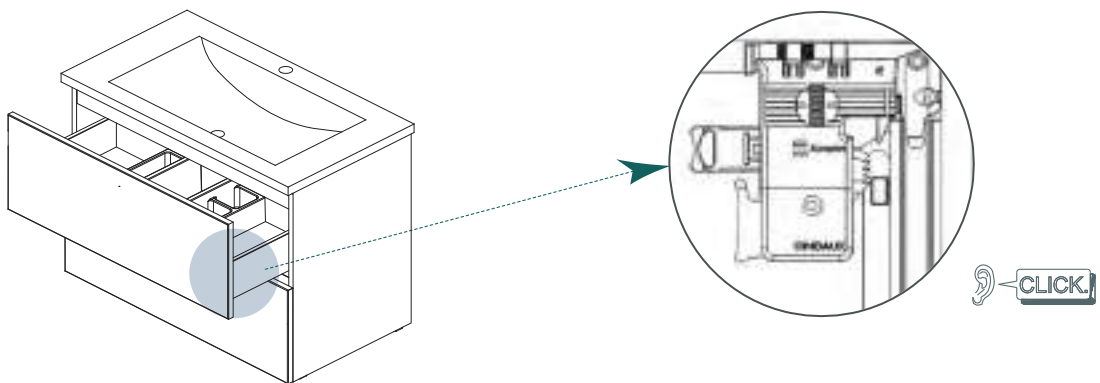


47 1/4"
120cm

05.

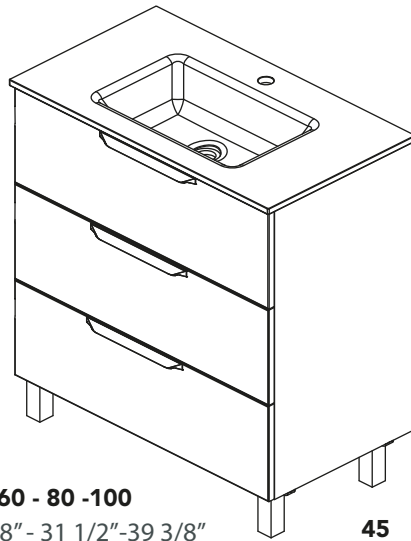


06.



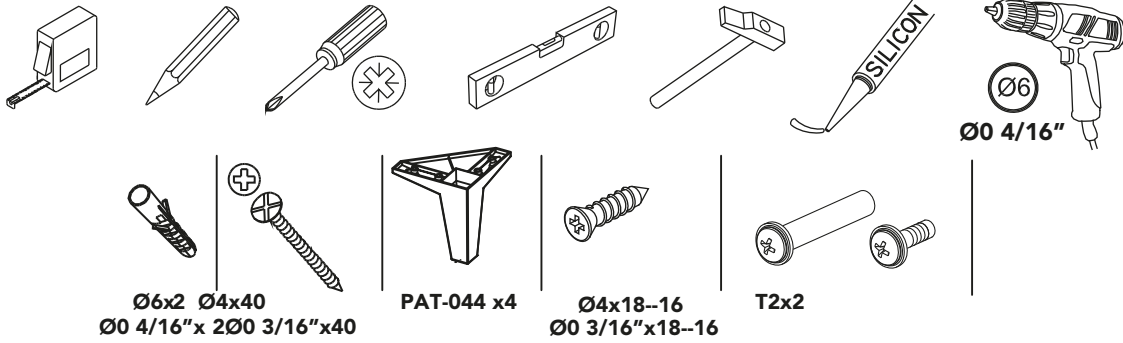


1-00-00"

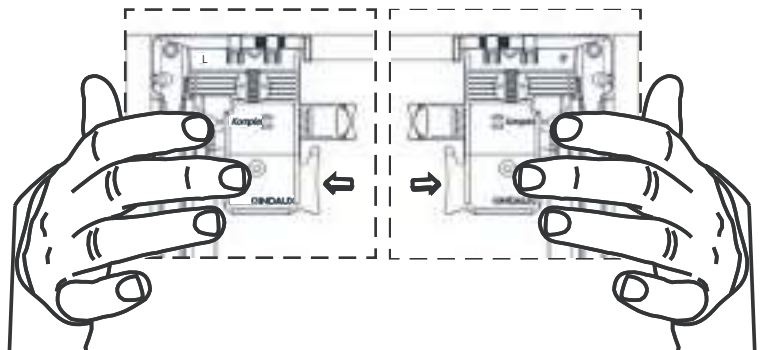
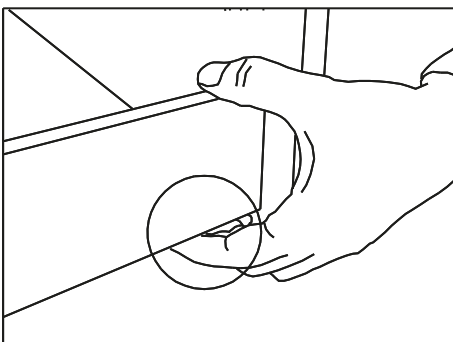
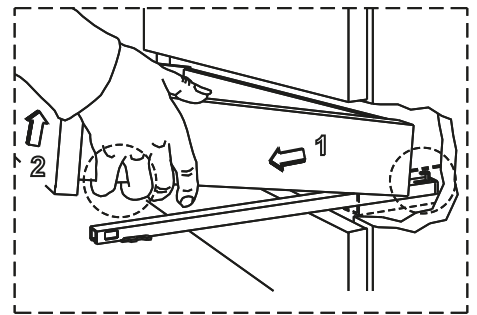
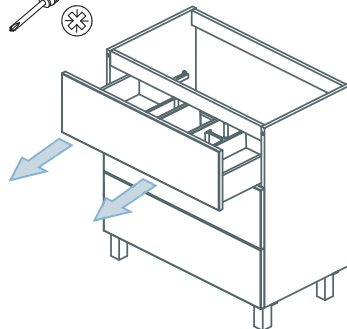
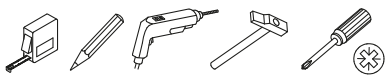


60 - 80 - 100
23 5/8" - 31 1/2" - 39 3/8"

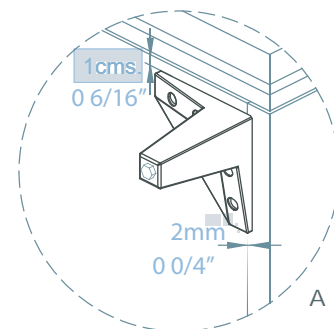
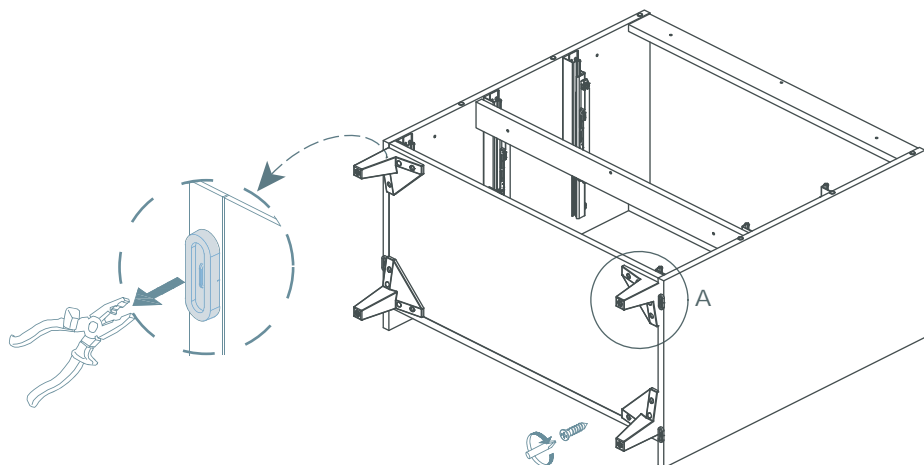
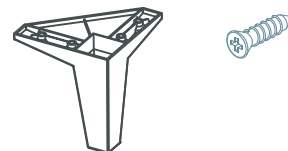
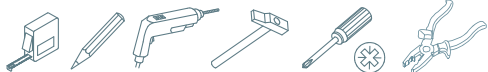
45
17 12/16"



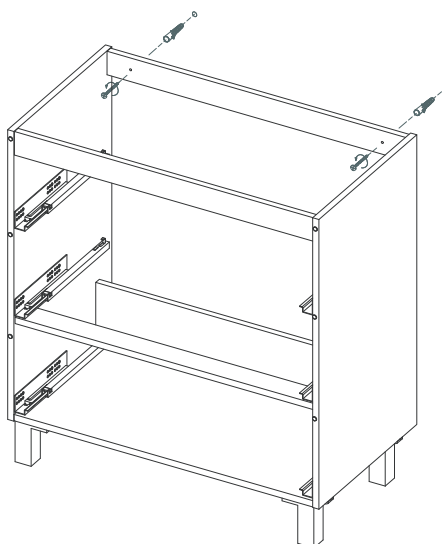
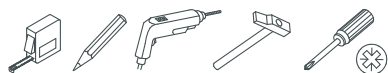
01.



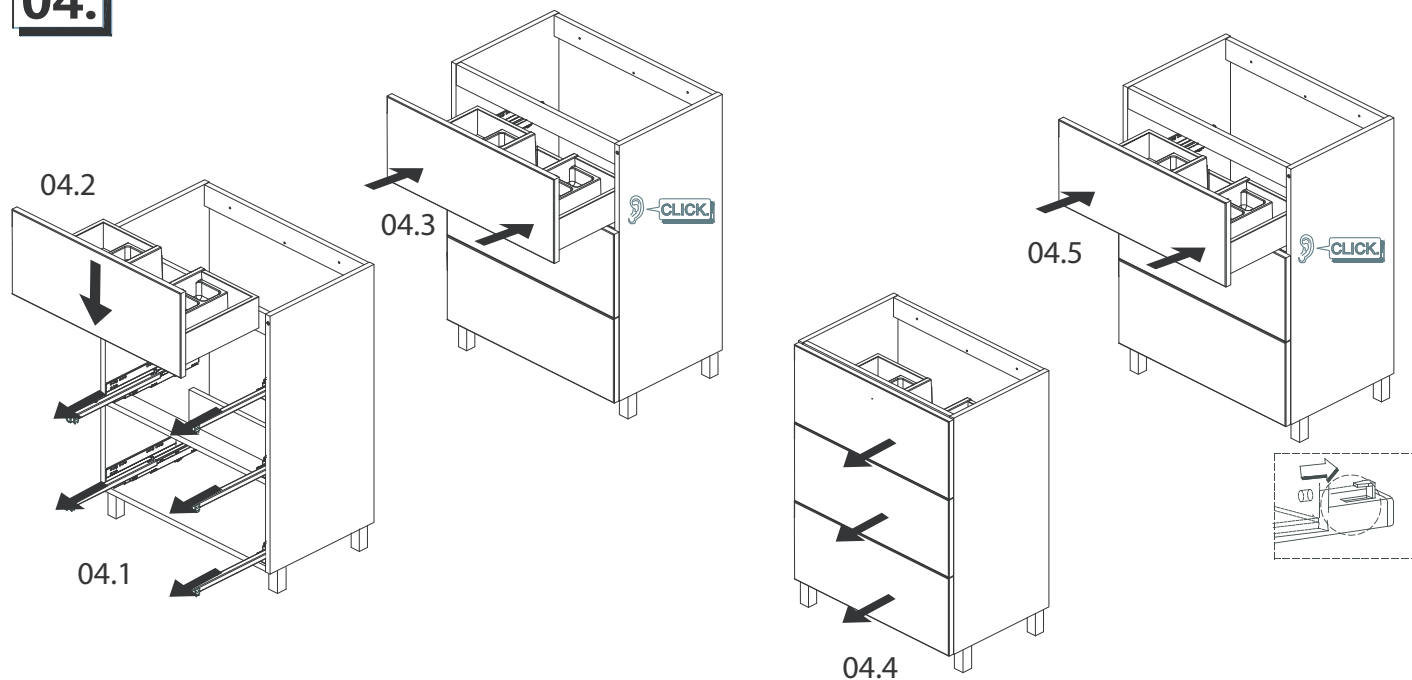
02.



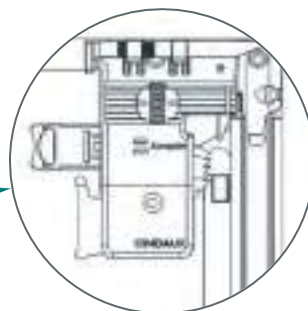
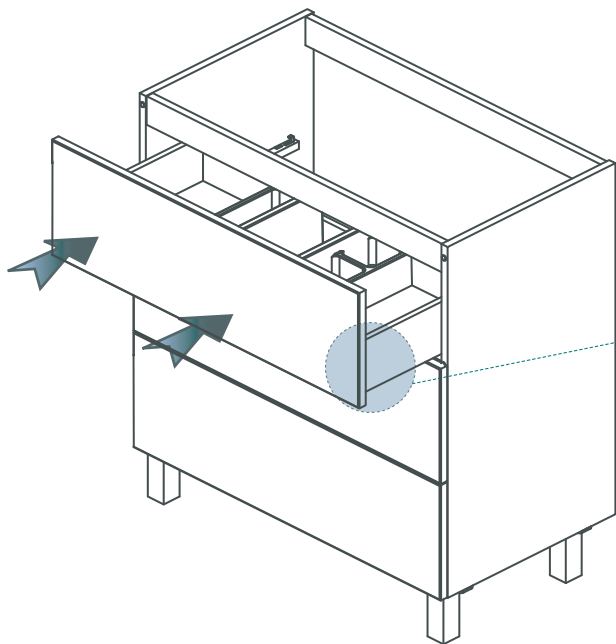
03.



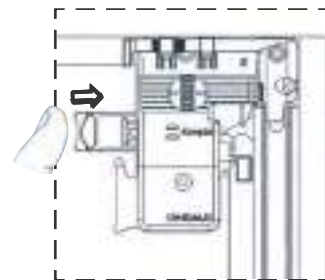
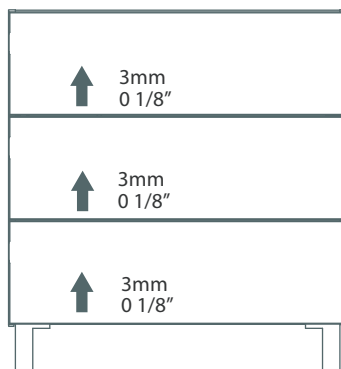
04.



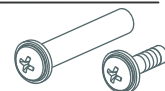
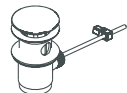
05.



CLICK!

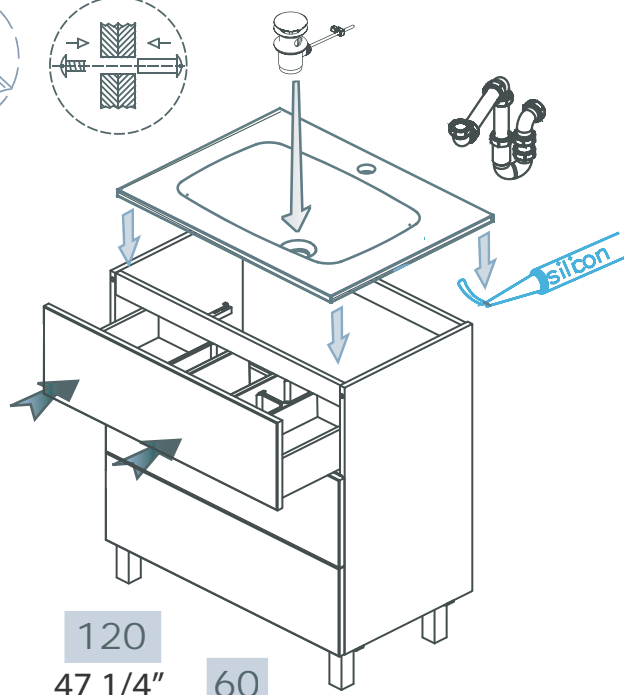
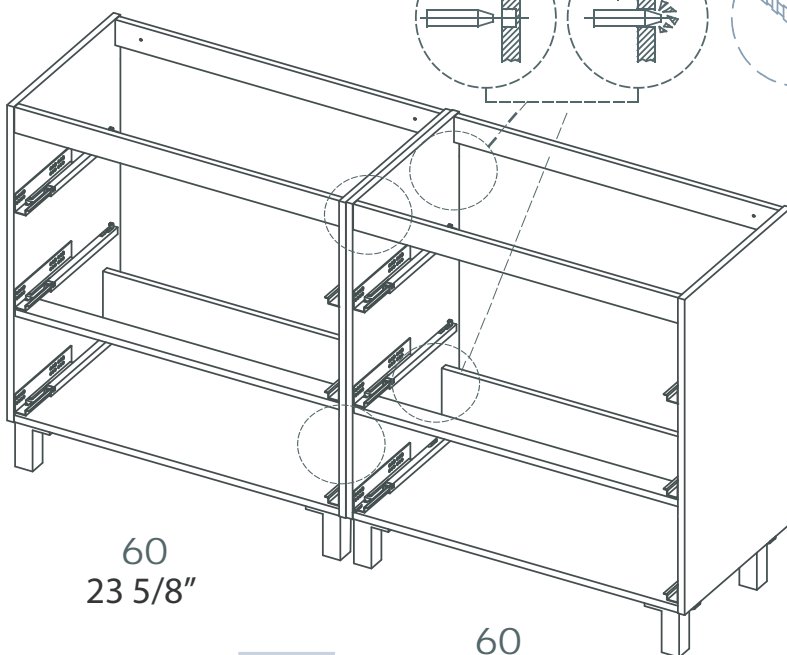
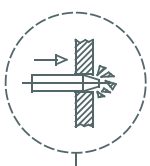
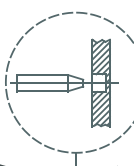


06.



T2x2(x2)

Ø 03/16"



120
47 1/4"

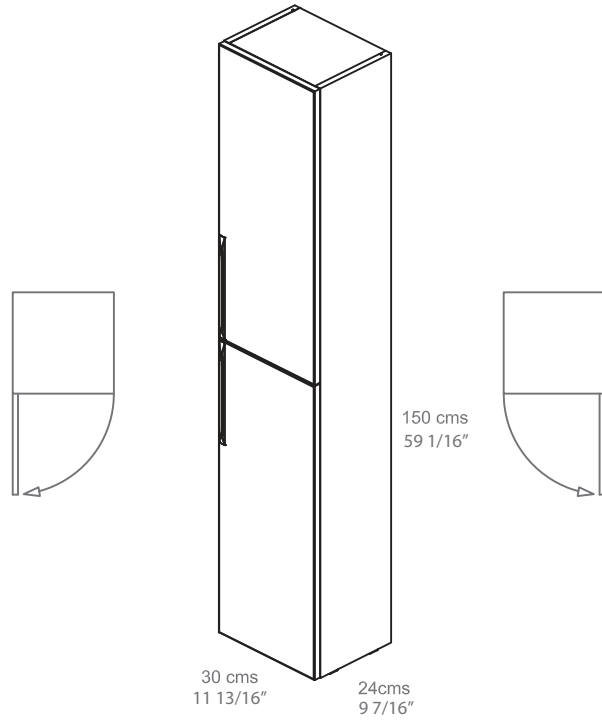
60
23 5/8"

120
47 1/4"

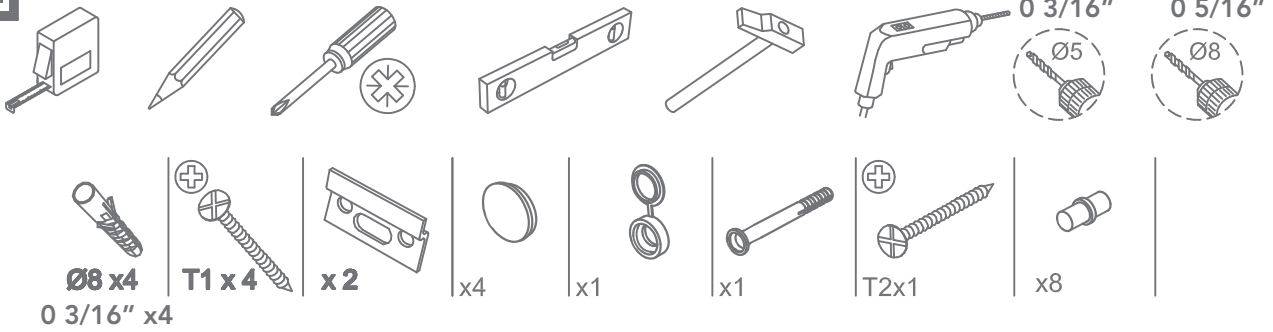
60
23 5/8"



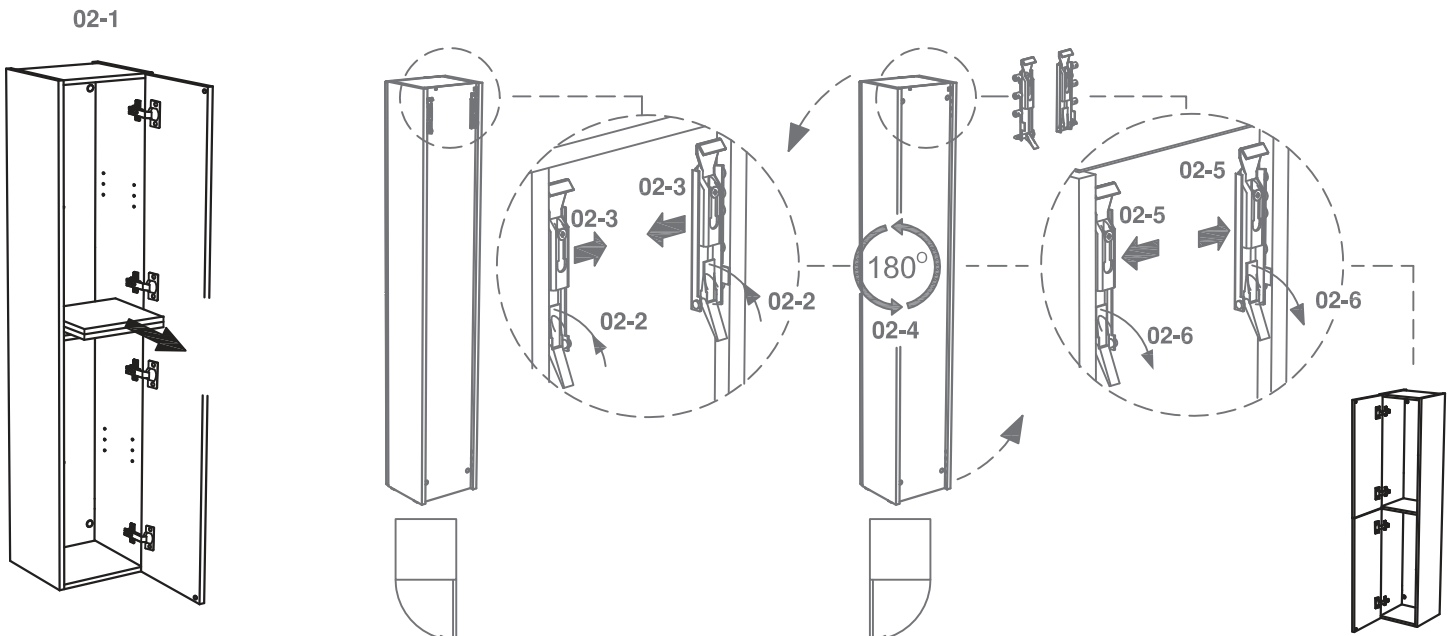
1-00'-00"



01.



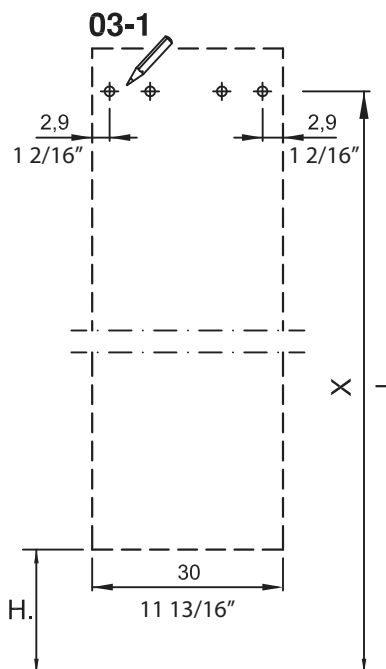
02.



03.

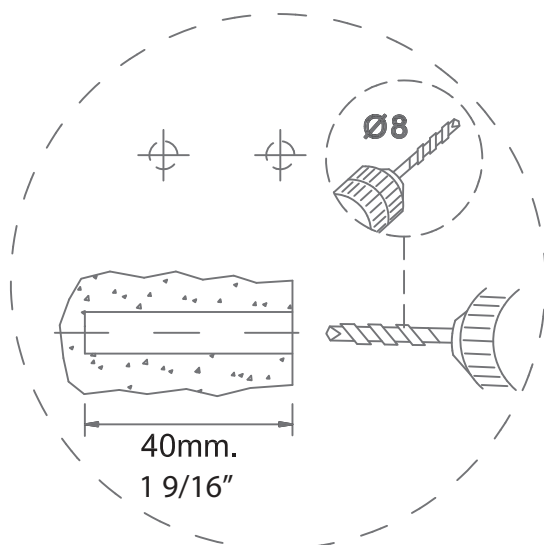


x4 T1x4 x2

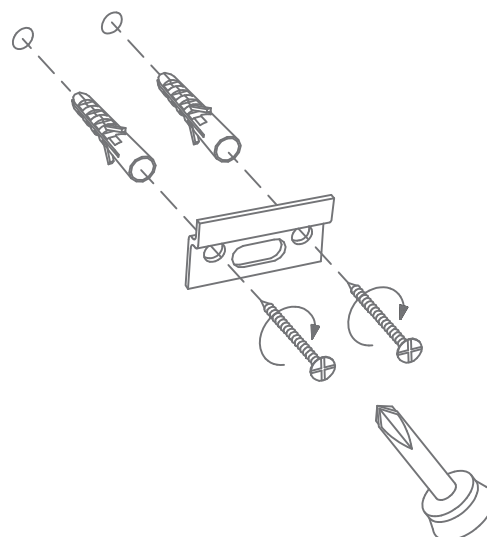


X=H+144,8cms.
X=H+57"

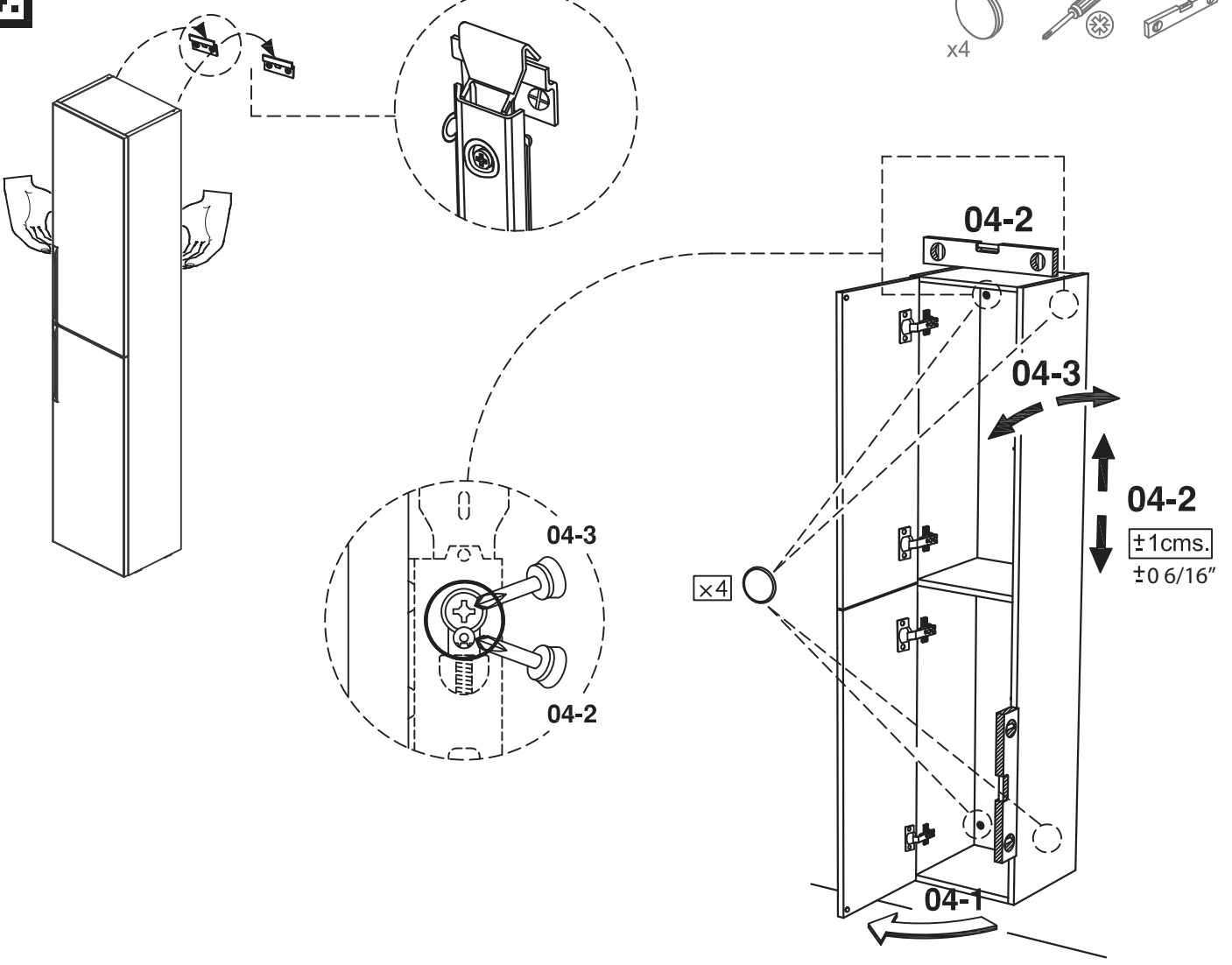
03-2



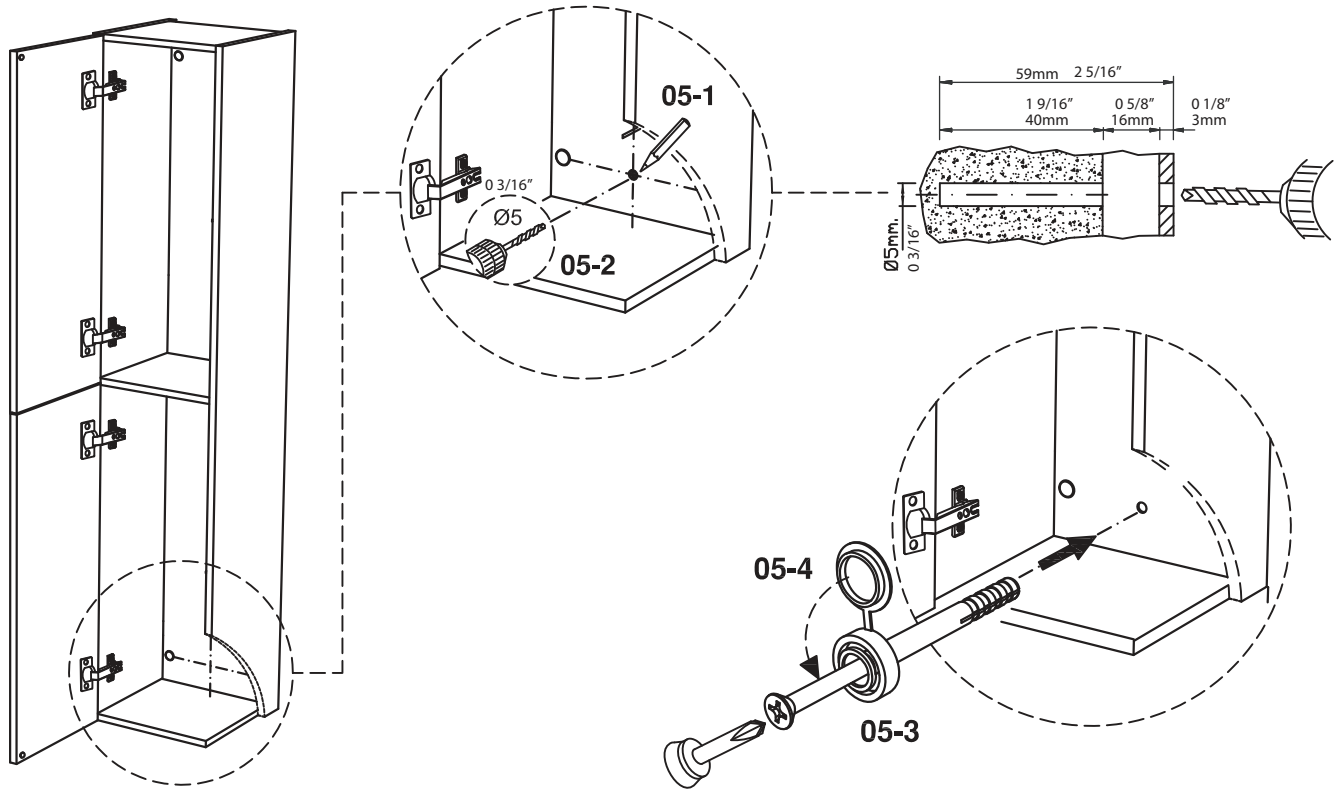
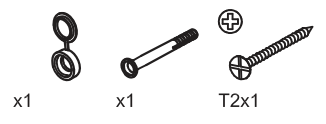
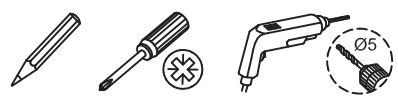
03-3



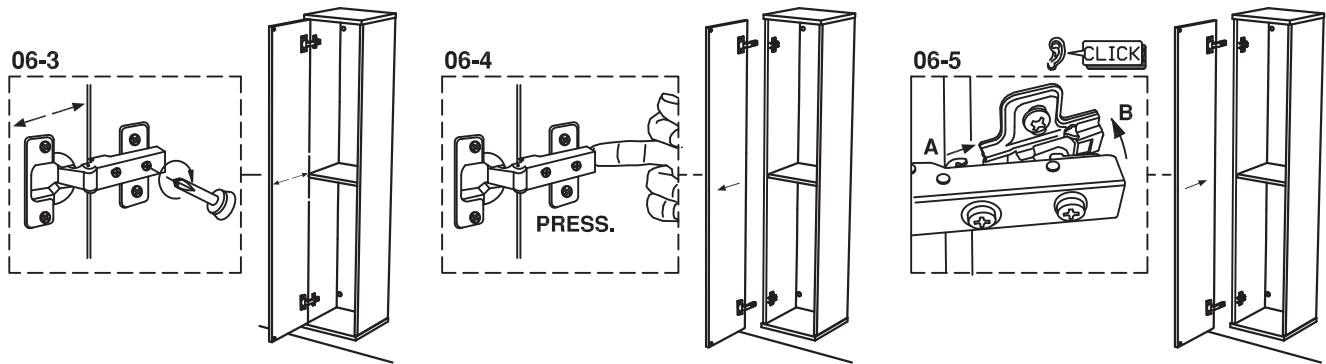
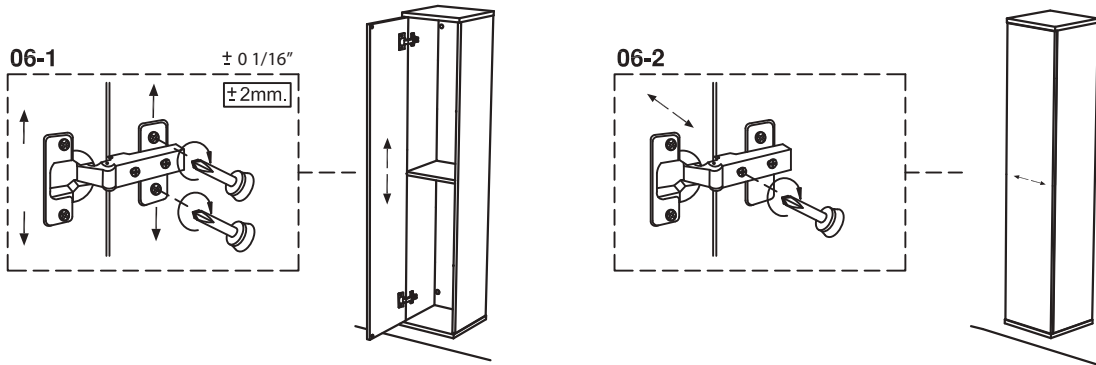
04.



05.



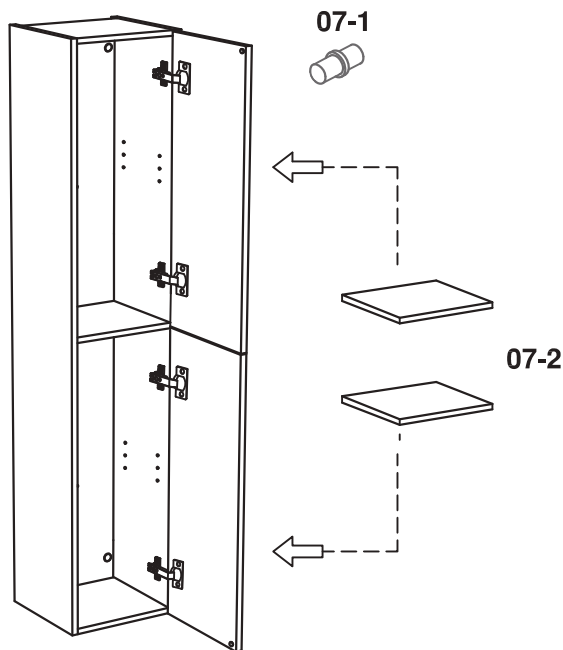
06.

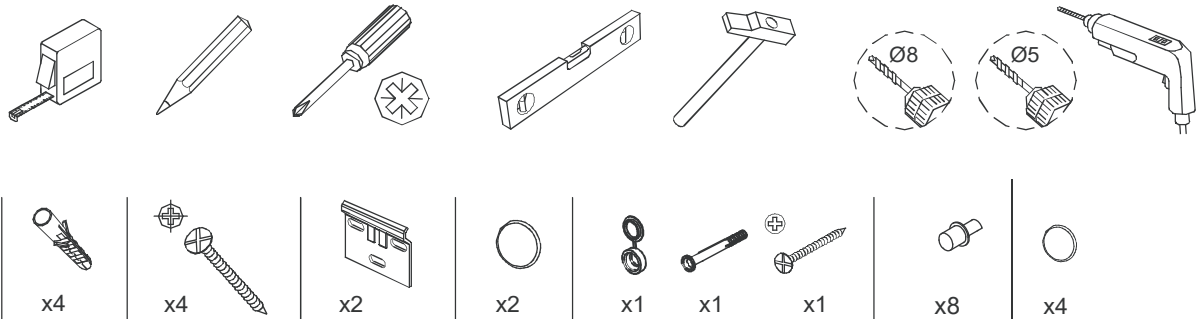
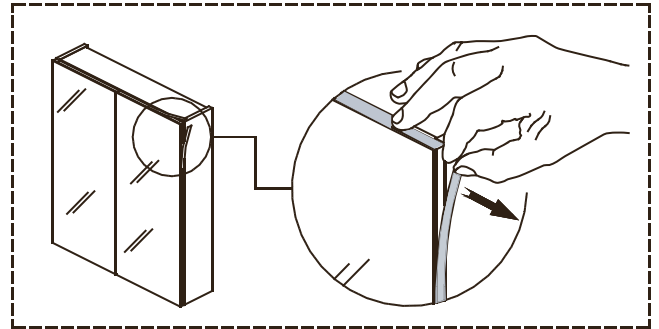
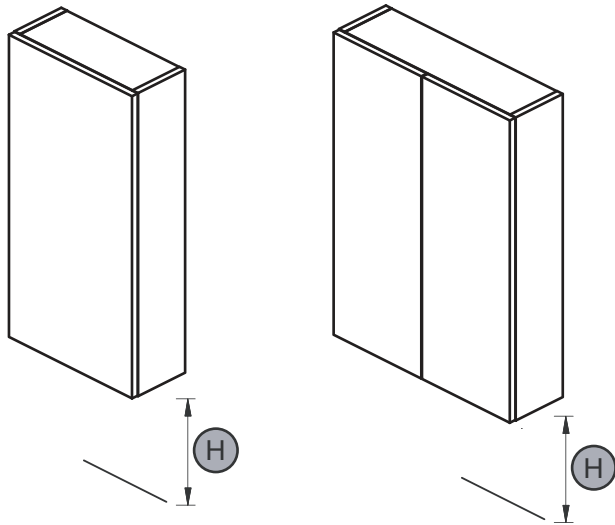


07.

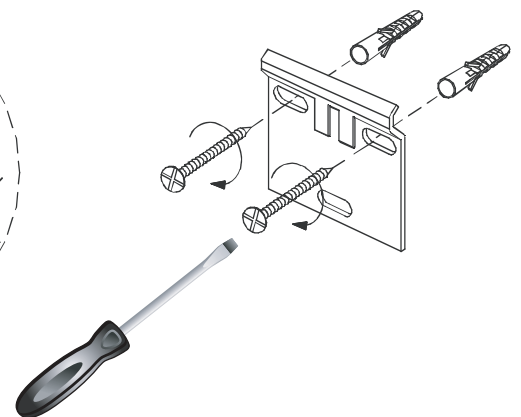
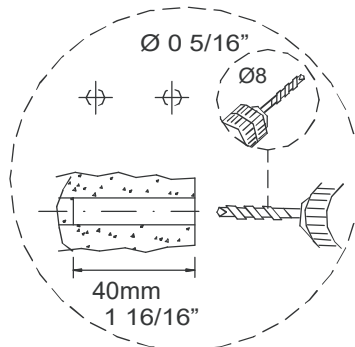
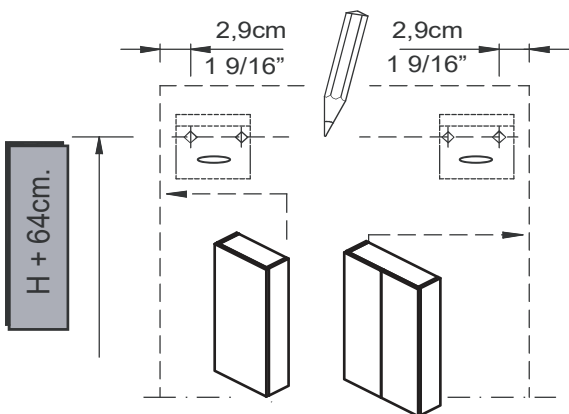
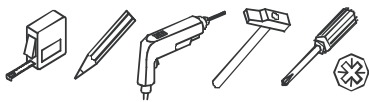


x8

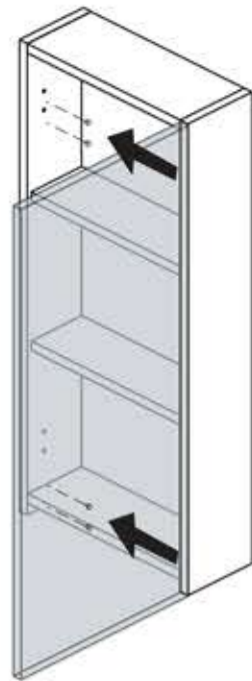
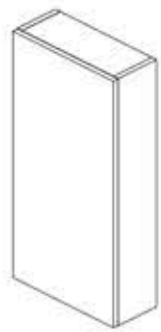




01.

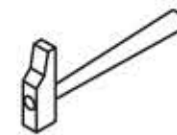


02.

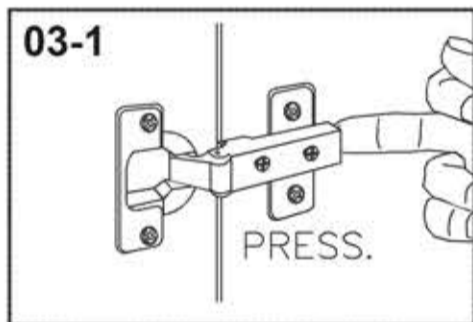
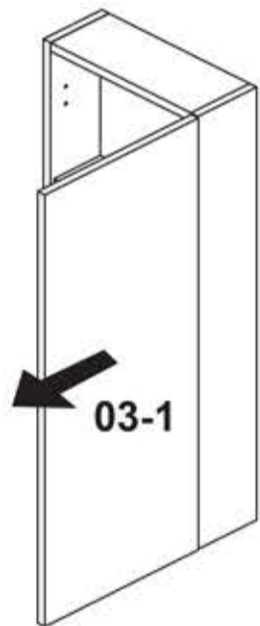
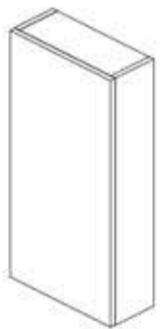


02-1

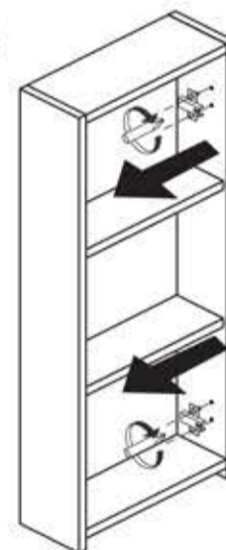
02-1



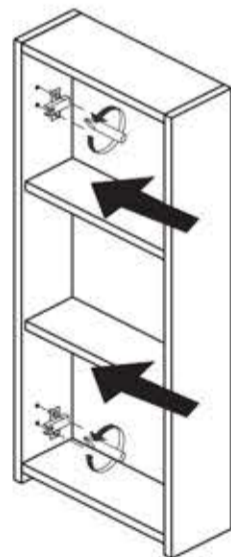
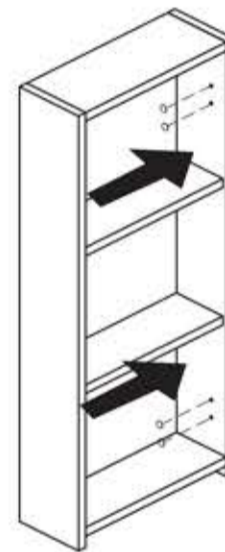
03.



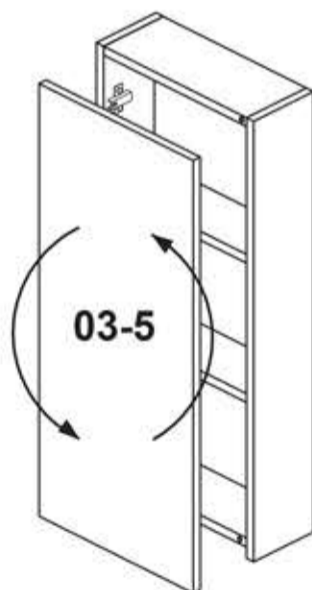
03-2



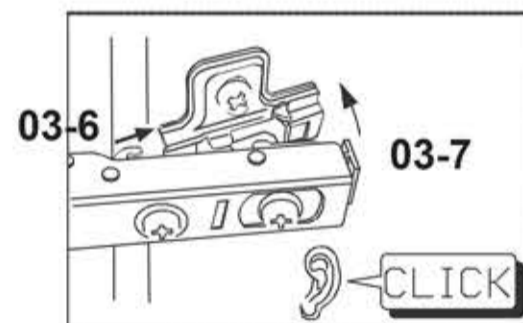
03-3



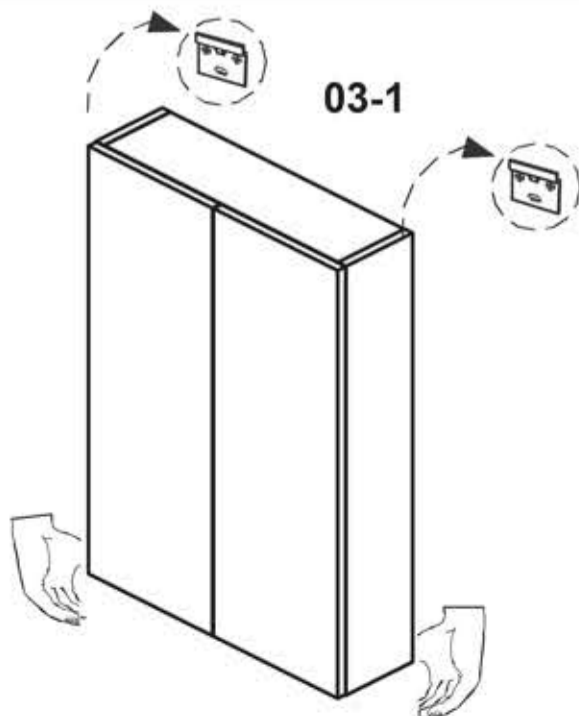
03-4



03-5



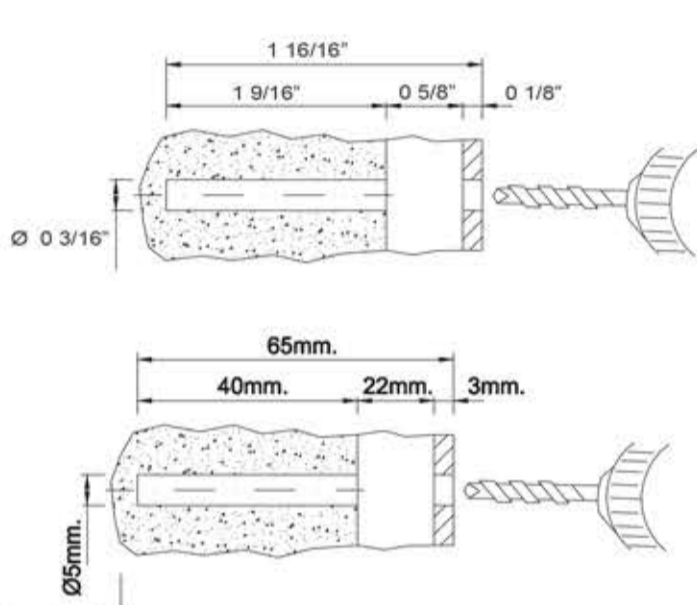
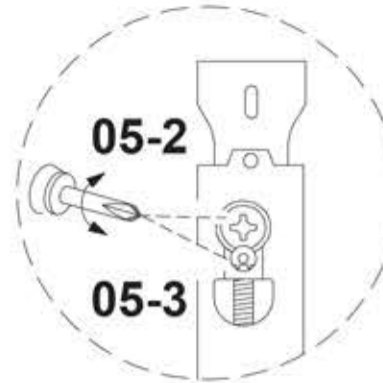
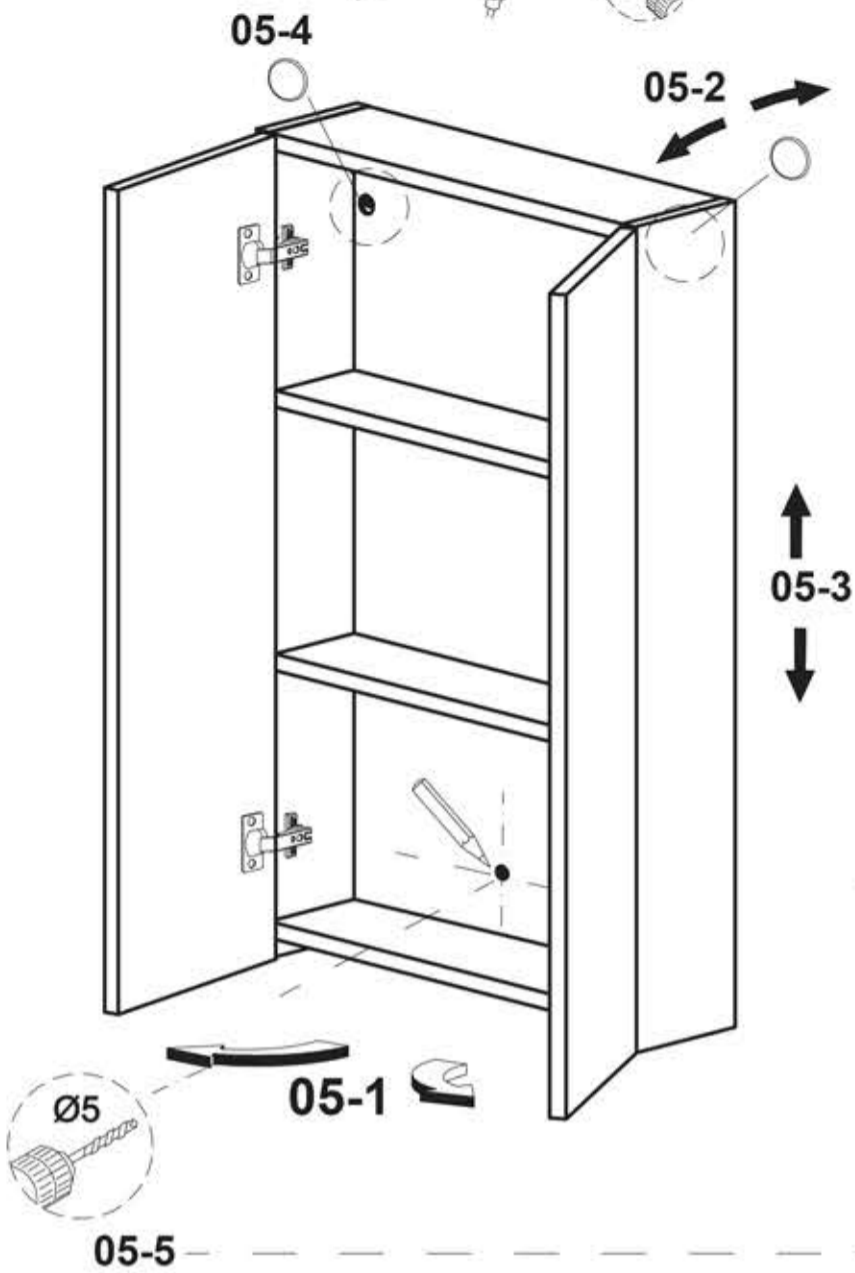
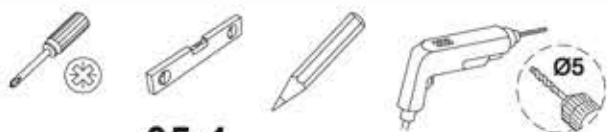
04.



03-1



05.



06.

