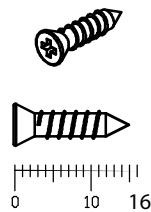
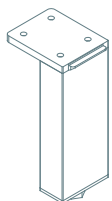
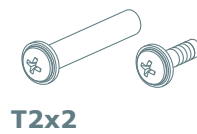
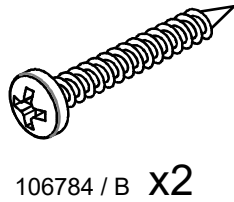
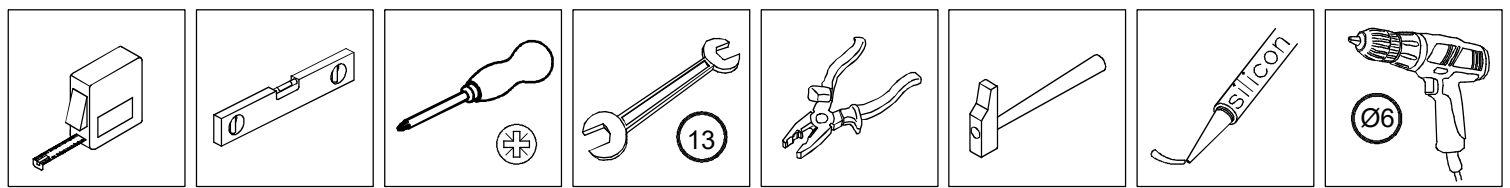
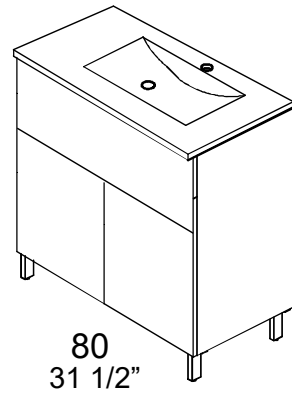
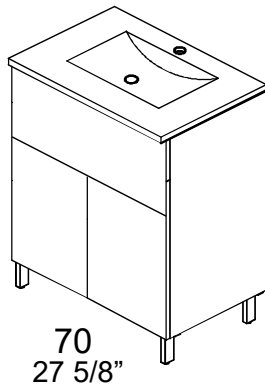
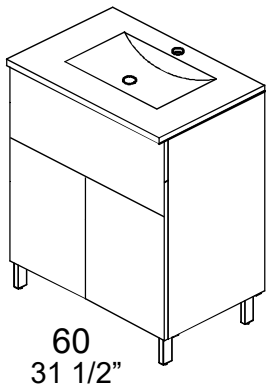
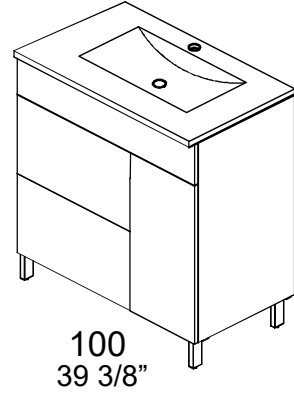
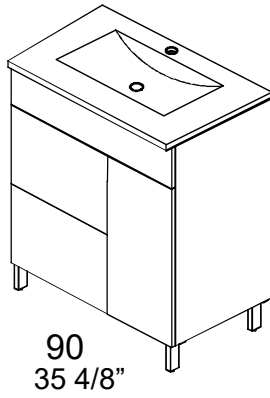
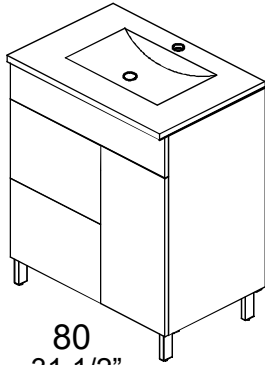
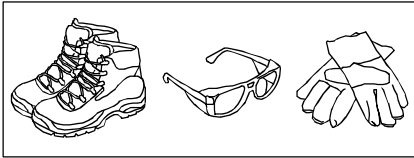
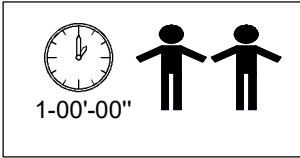
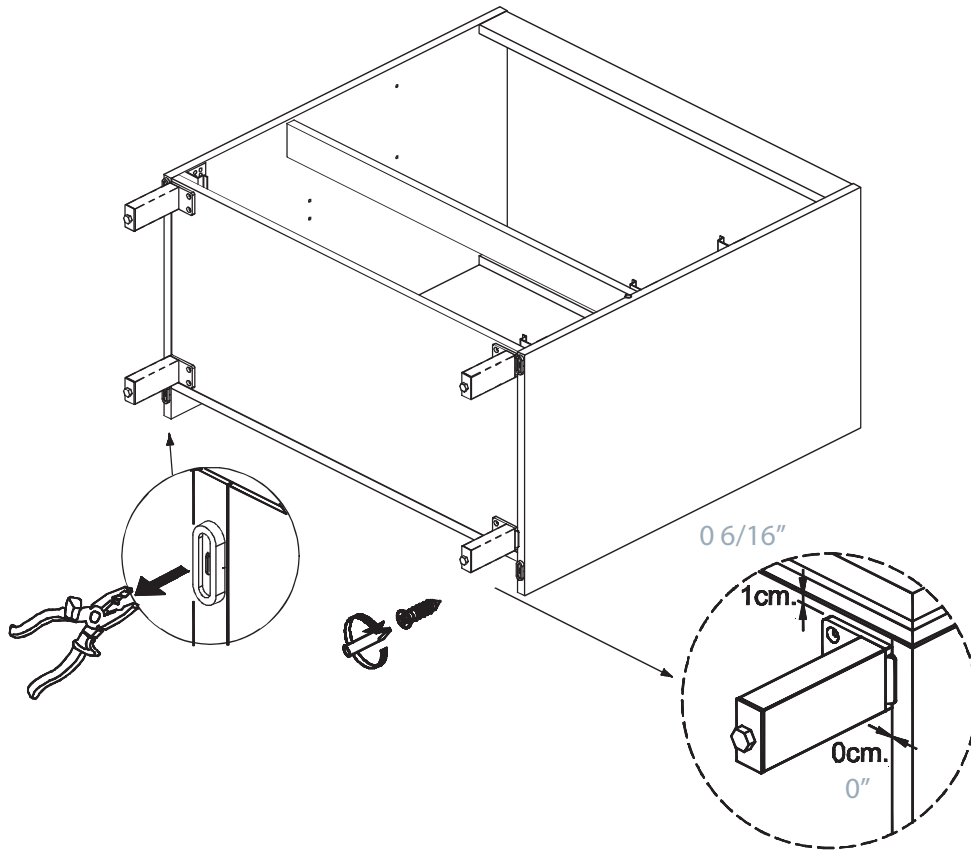
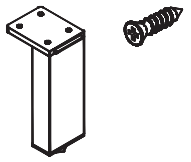
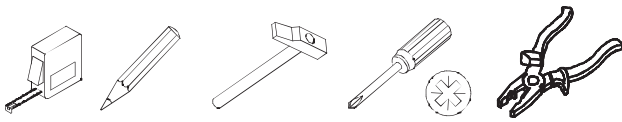


BAND

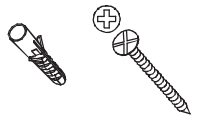
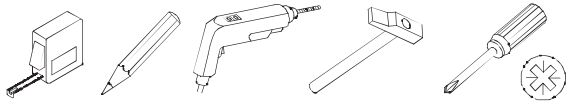
Royo®



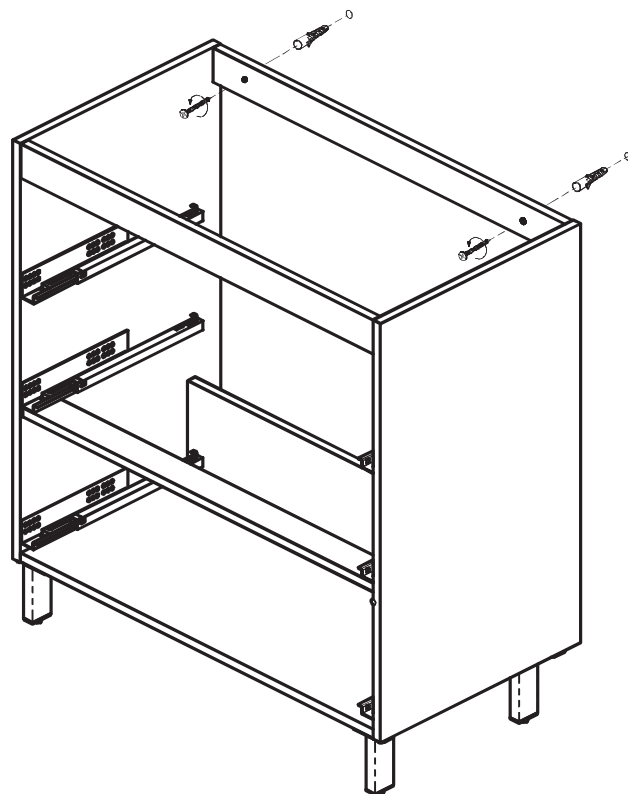
02.



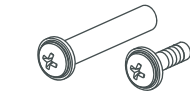
03.



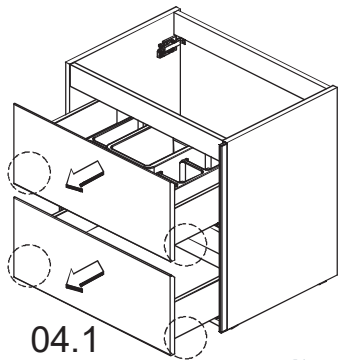
∅6x2 ∅4x40



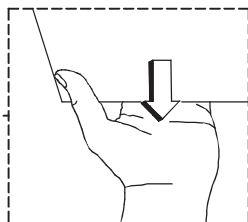
04.



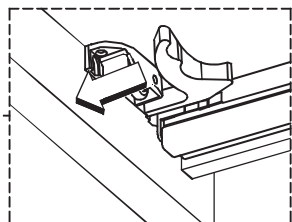
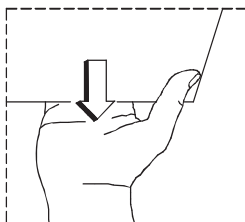
T2x2(x2)



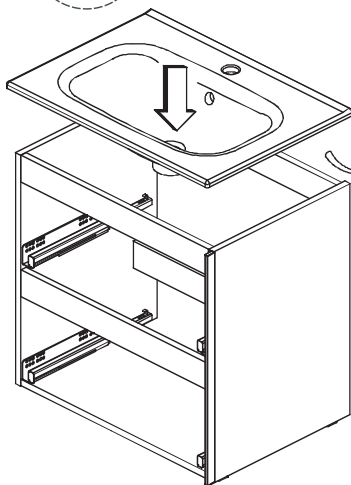
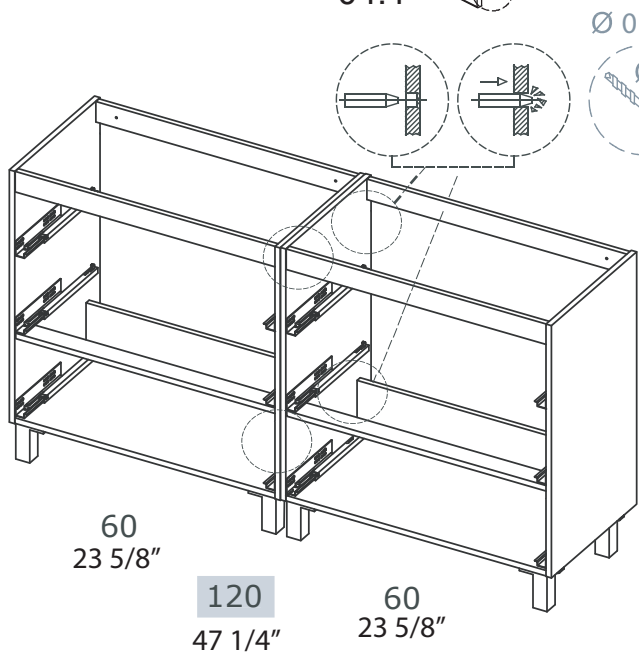
04.1



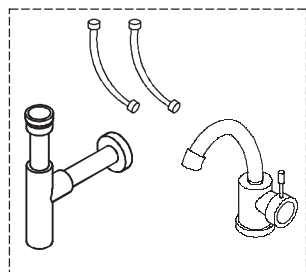
04.2



04.3

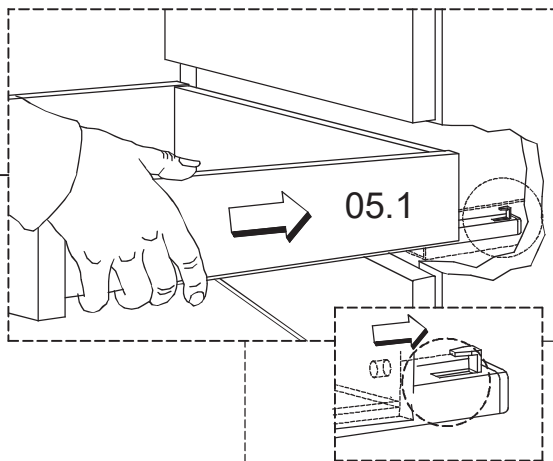
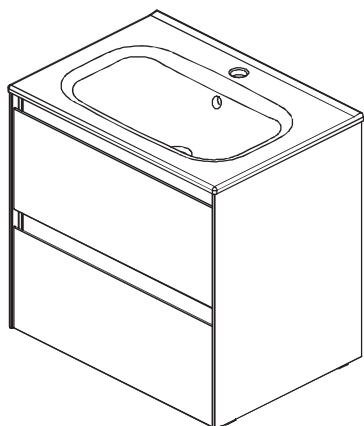
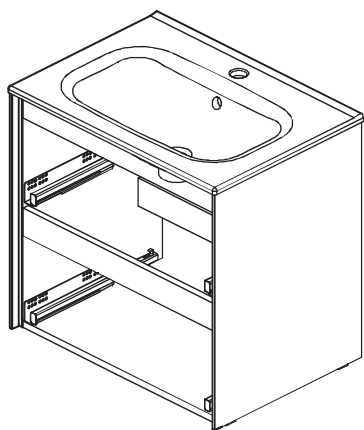


04.4

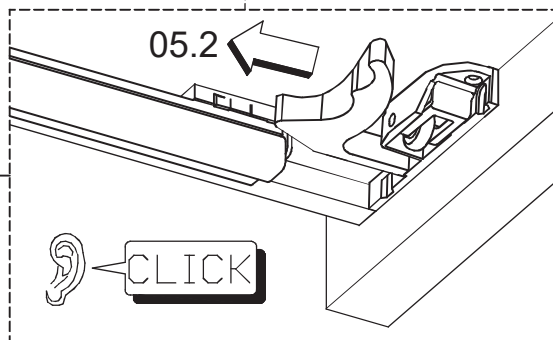


04.5

05.



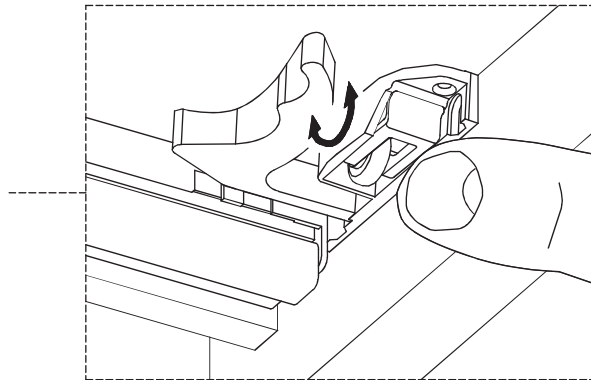
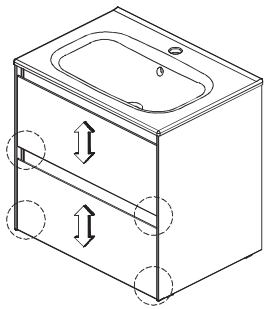
05.1



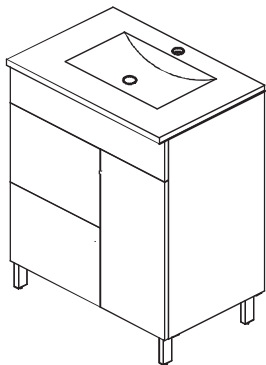
05.2

CLICK

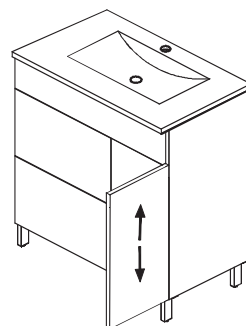
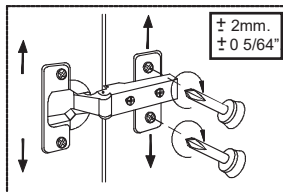
06.



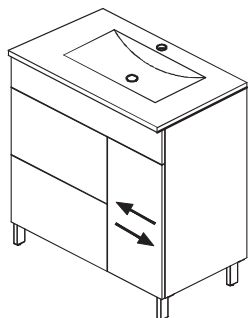
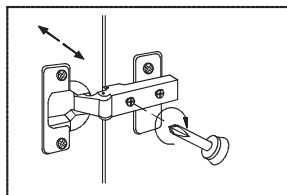
07.



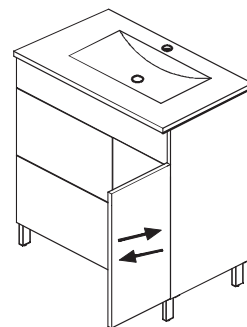
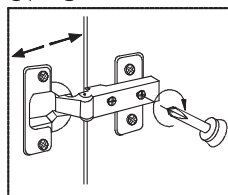
07-1



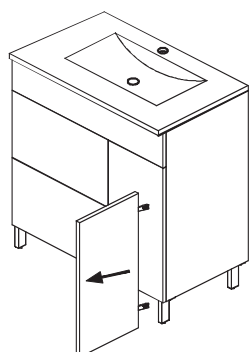
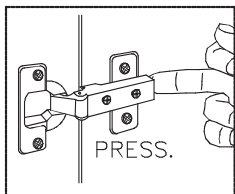
07-2



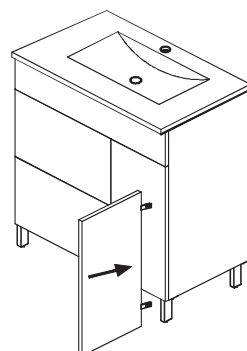
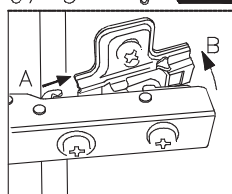
07-3



07-4

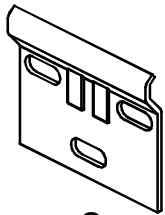
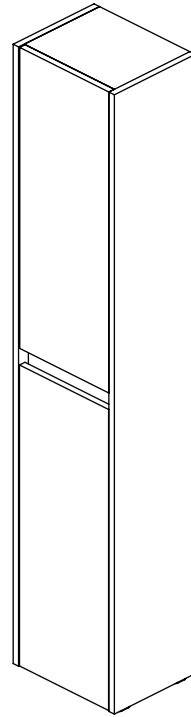
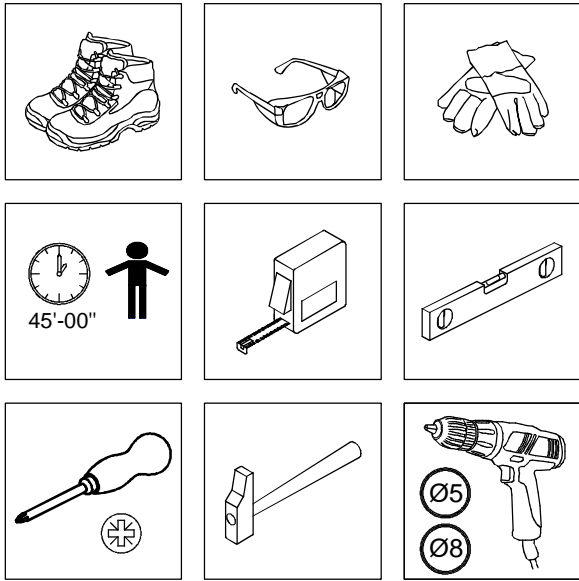


07-5

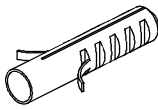


BAND

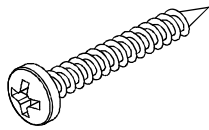
Royo®



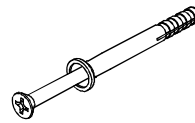
x2



x4



x4



x1



x1



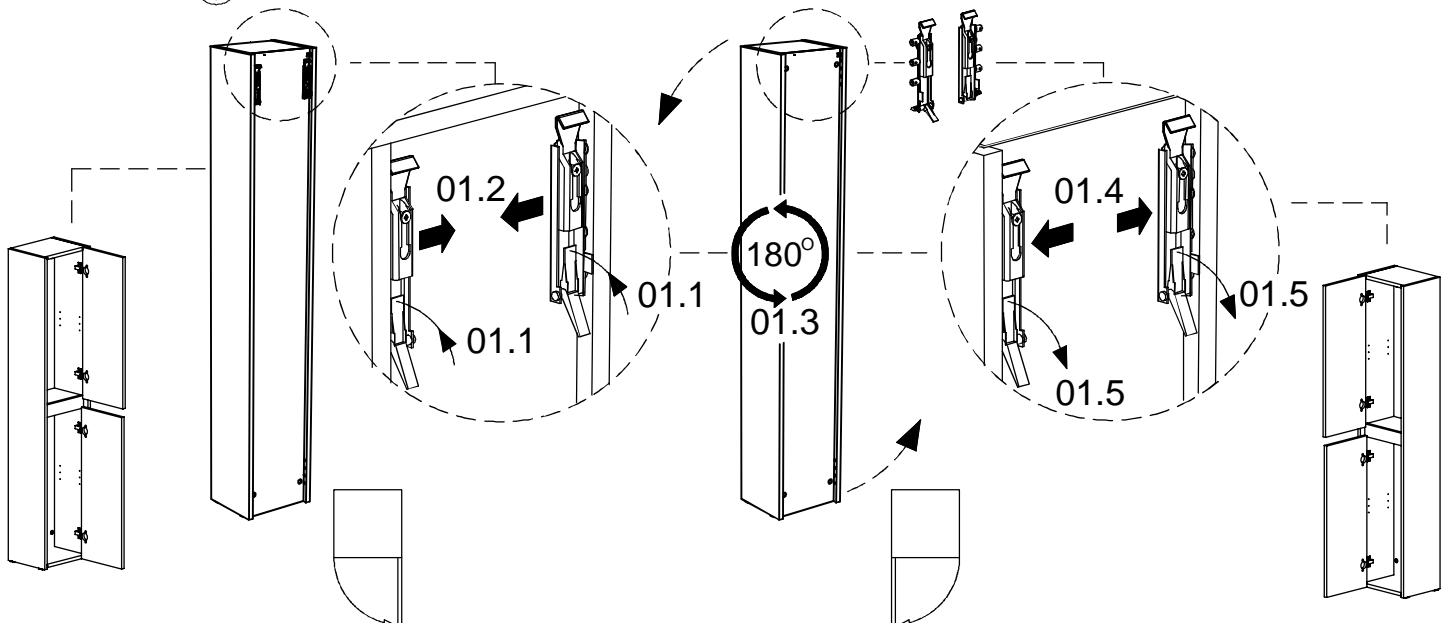
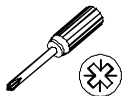
x8



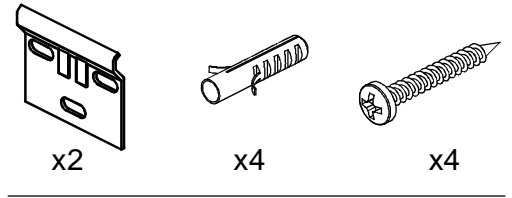
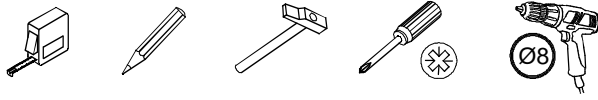
BO-719

BO-630

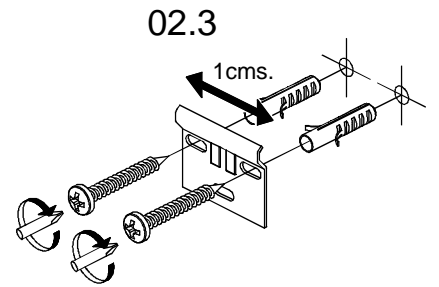
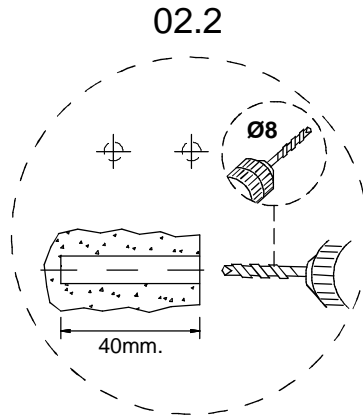
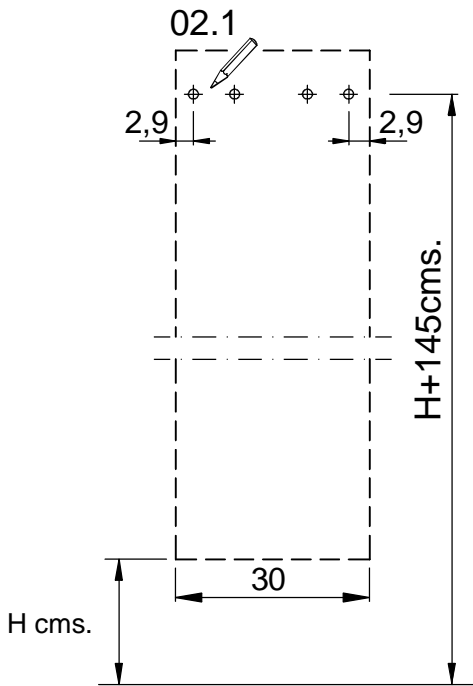
01.



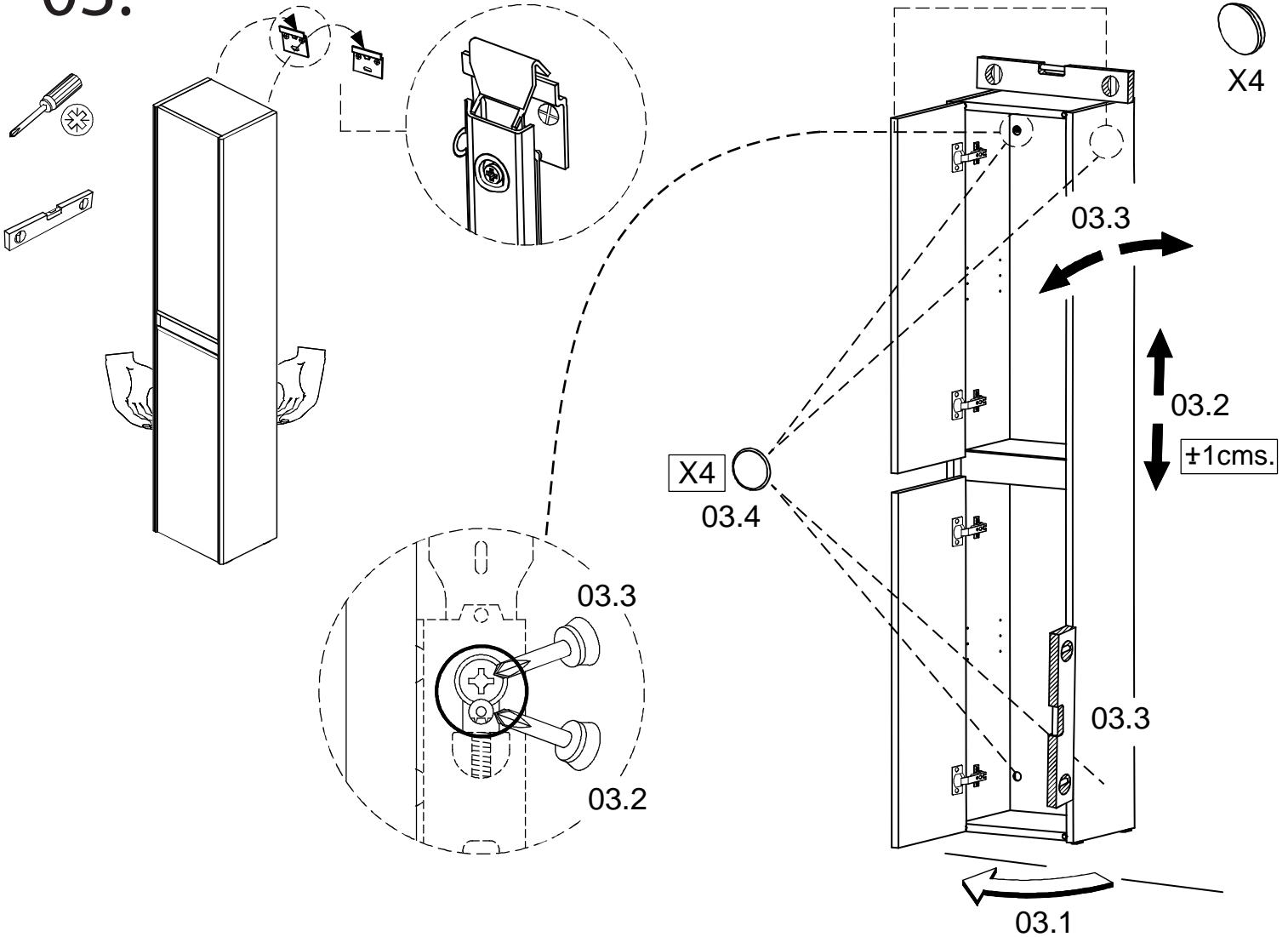
02.



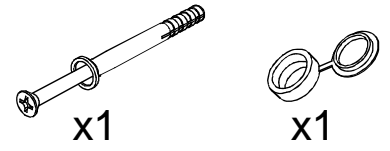
BO-719



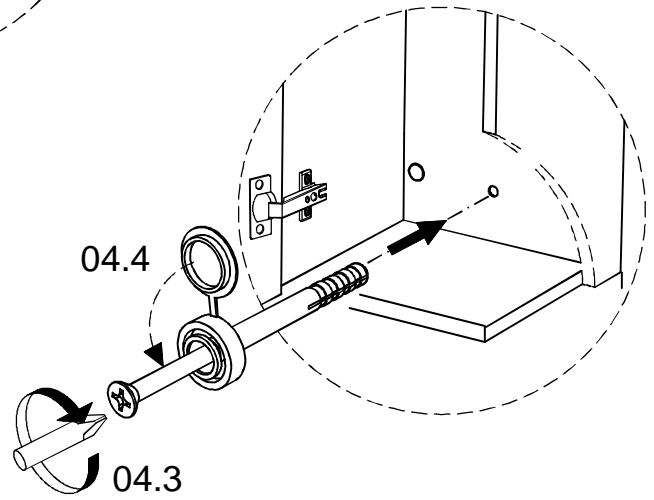
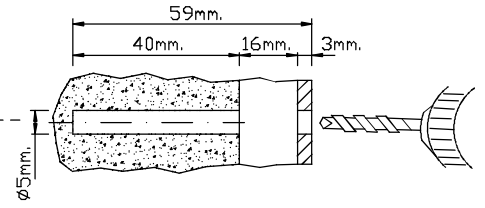
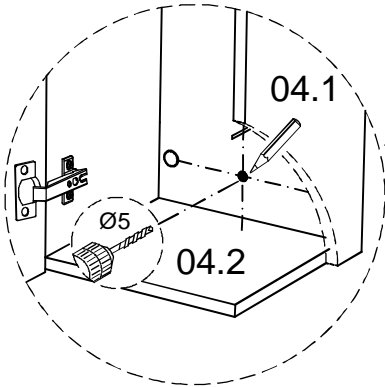
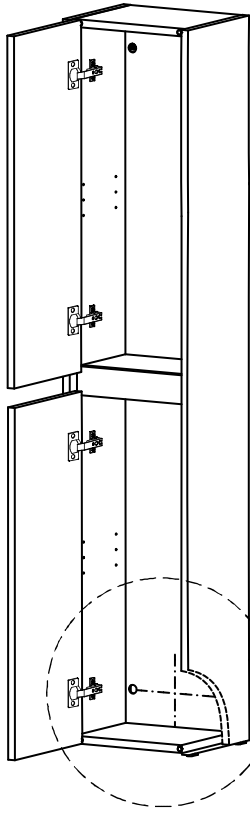
03.



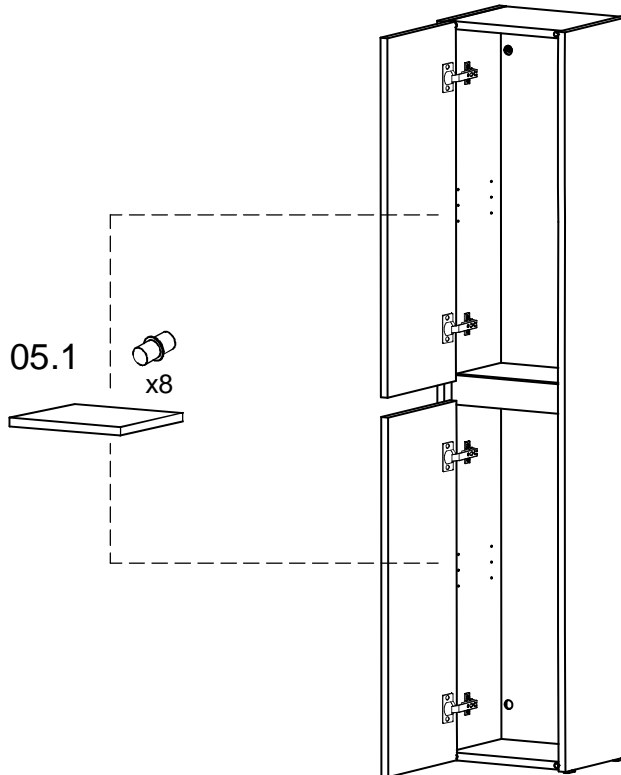
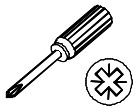
04.



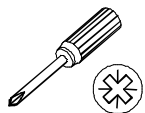
BO-630



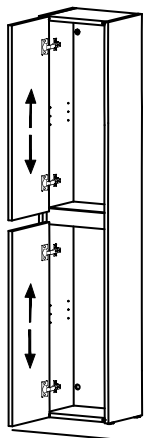
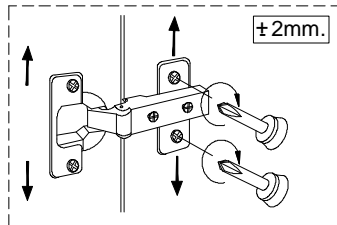
05.



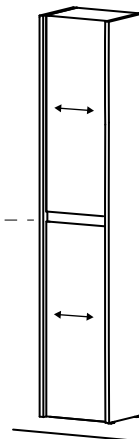
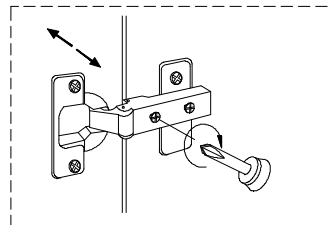
06.



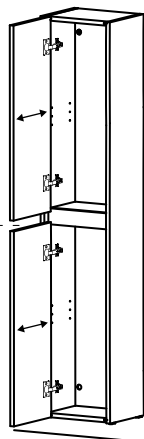
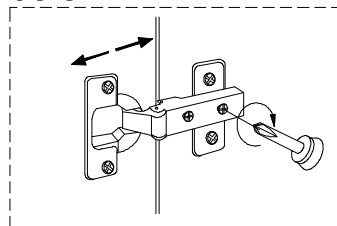
06.1



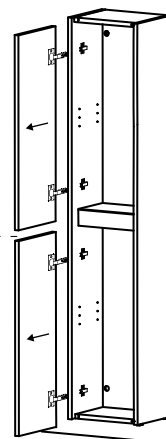
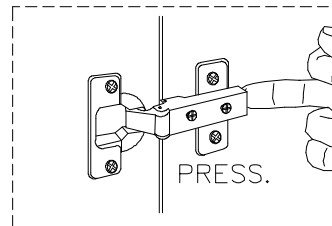
06.2



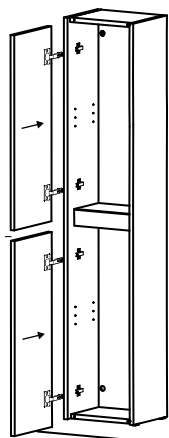
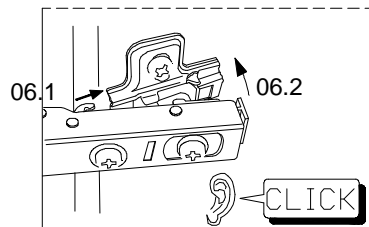
06.3

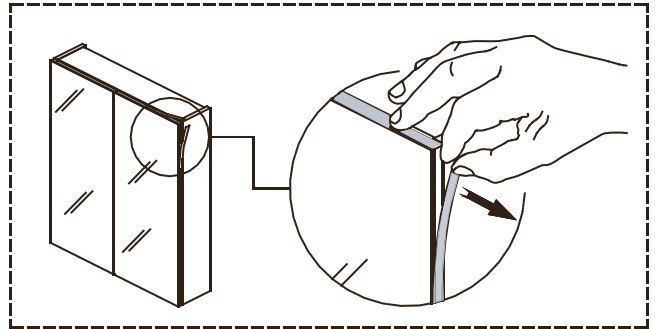
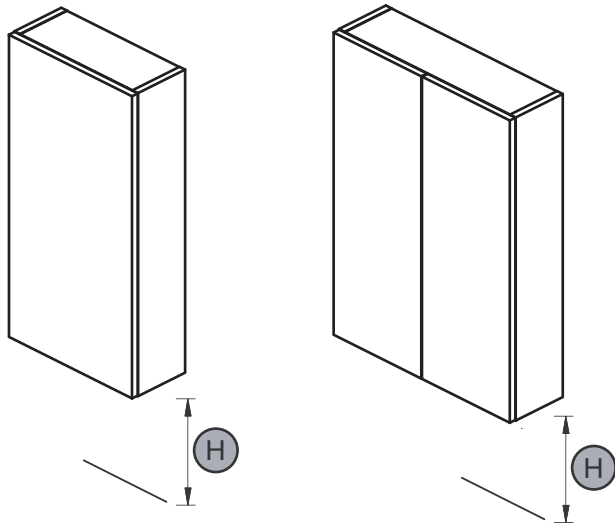


06.4

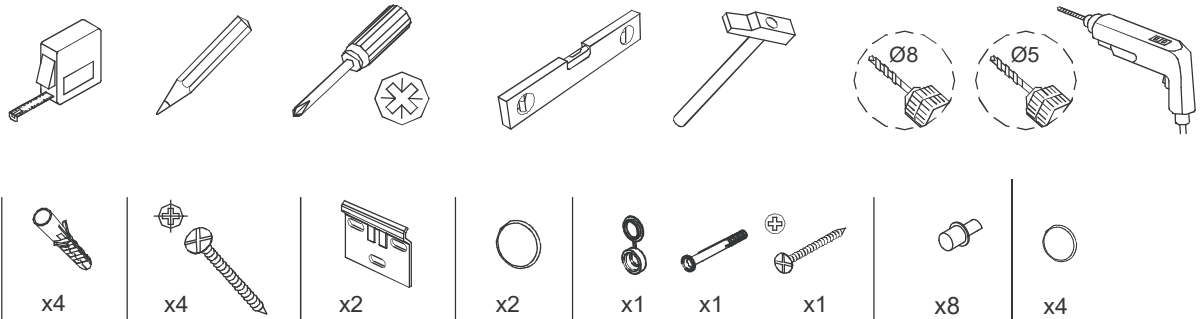


06.5

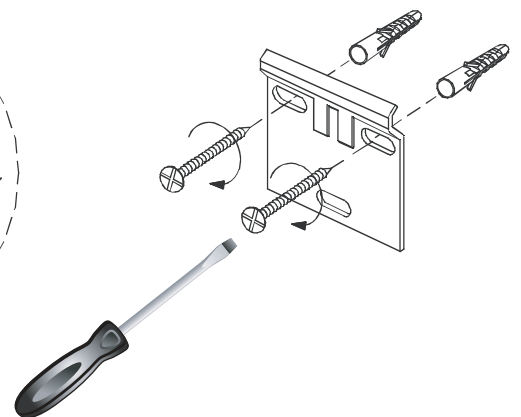
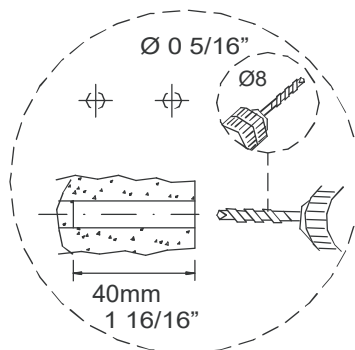
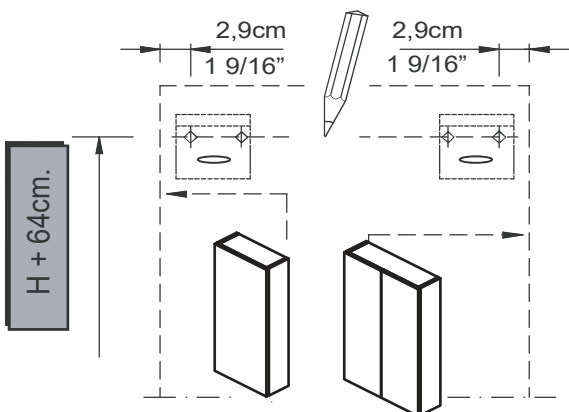




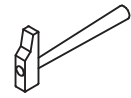
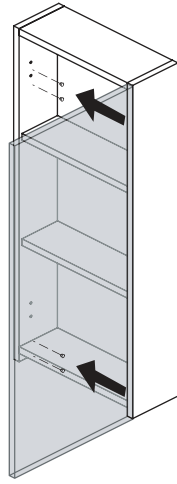
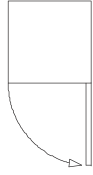
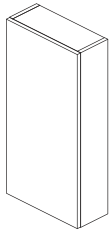
0-30'-00"



01.



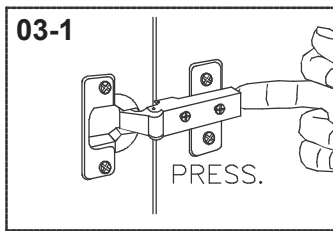
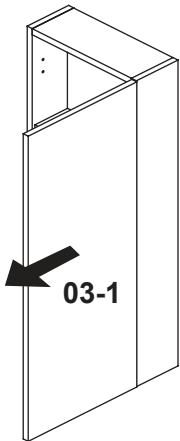
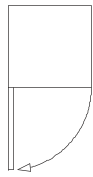
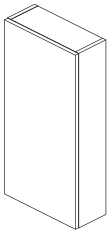
02.



02-1

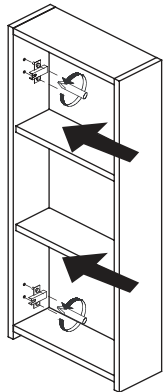
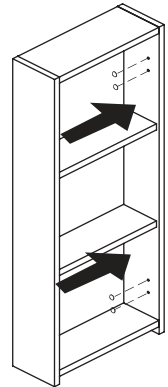
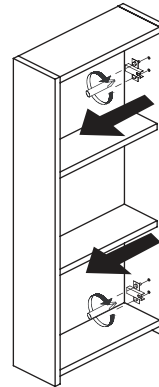
02-1

03.

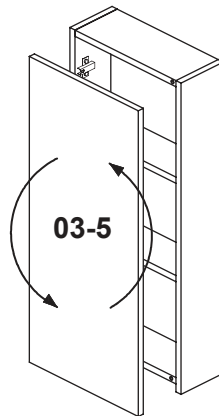


03-2

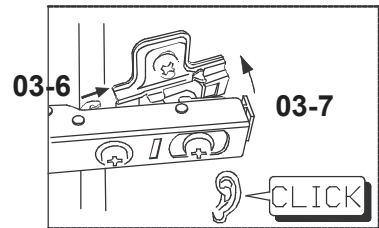
03-3



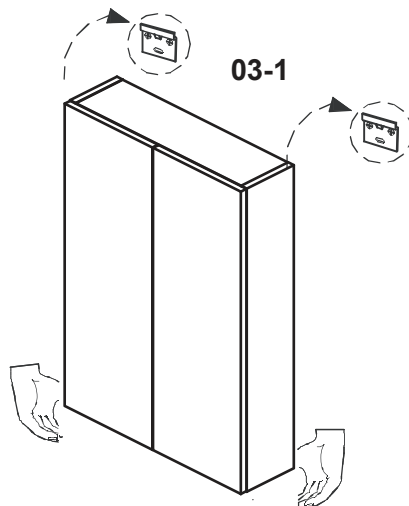
03-4



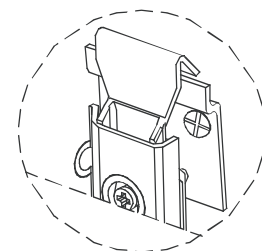
03-5



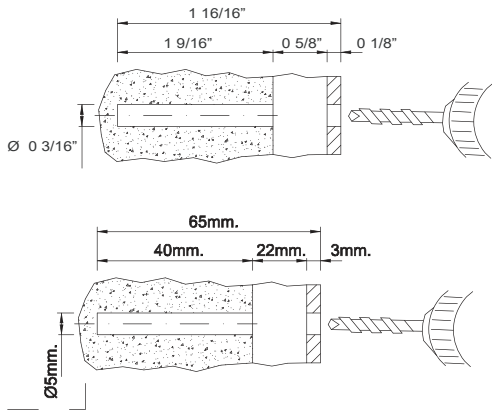
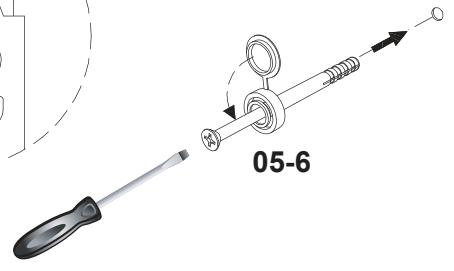
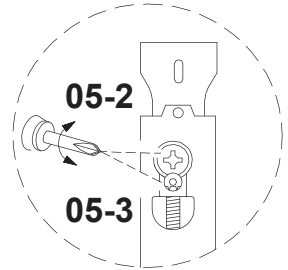
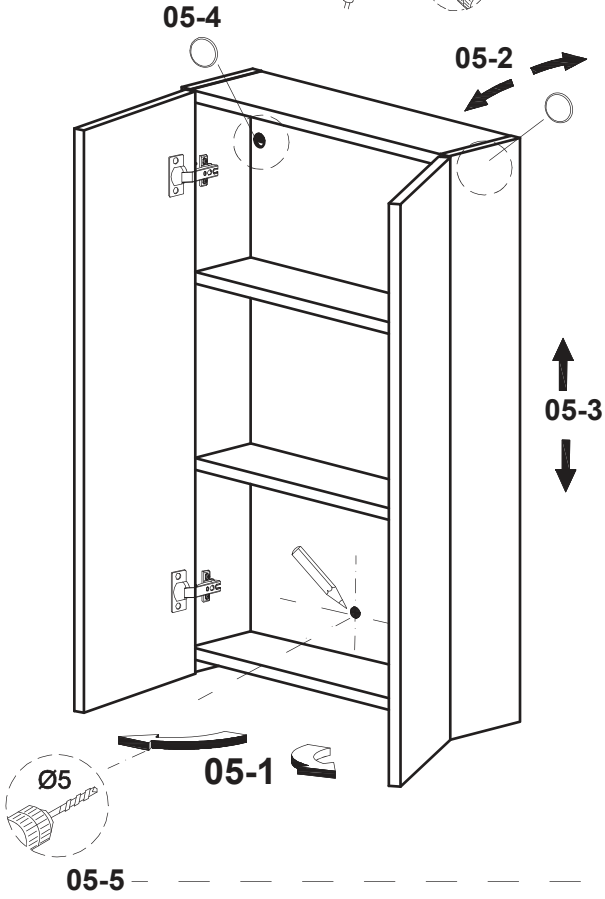
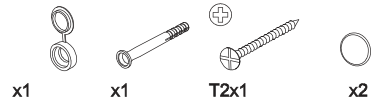
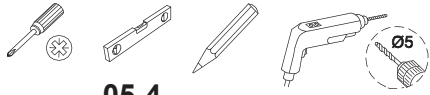
04.



03-1



05.



06.

