

acciaio inox | stainless steel | acier inox | Edelstahl

consumo idrico effetto pioggia: 12 litri/minuto | average flow rate rain effect: 12 liters/minute

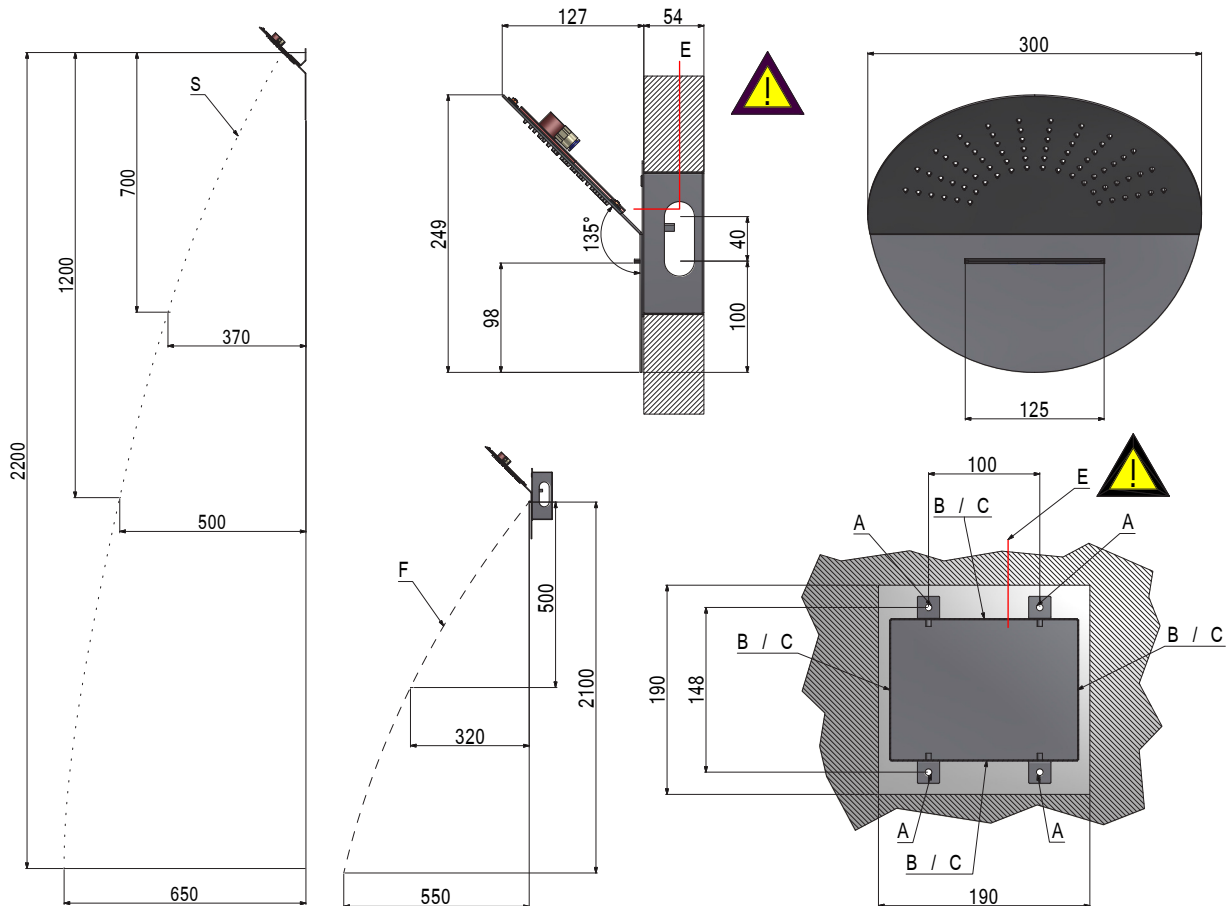
consommation effet pluie: 12 L/min | Durchflussmenge Regenbrause: 12 L/min

consumo idrico cascata: 16 litri/minuto | average flow rate waterfall: 16 liters/minute

consommation cascade: 16 L/min | Durchflussmenge Wasserfall: 16 L/min

pressione minima di esercizio: 1,5 bar dinamici | minimum dynamic pressure required: 1,5 bar (21,7 psi)

pression minimale 1,5 bar | mindest Druck aus 1,5 bar



Soffione anticalcare Ø 300 mm spazzolato con cascata e kit per fissaggio a muro.

Ø 300 mm round brushed antiscala shower head with waterfall and wall support bracket.

Pomme de tête anticalcaire brossée Ø 300 mm avec cascade et kit pour fixation au mur.

Verkalkungsfreier Duschkopf zur Wandmontage Ø 300 mm gebürstet mit Wasserfall und Wandbefestigung.



NOTE | NOTES

Distanza indicativa soffione - piatto doccia 2200 mm | Approximate distance shower head - shower tray 2200 mm

Distance suggérée pomme de tête - receveur de douche 2200 mm | Ungefährer Abstand Kopfbrause - Duschwanne 2200 mm

**A** - Zanca di fissaggio da cementare - Anchor bracket to be cemented - Patte de fixation à cimenter - Befestigung zu verkitten

**B / C** - Ingressi alimentazione pioggia + cascata - Rain and waterfall water inlets - Connections pluie et cascade - Regen- und Wasserfallanschlüsse

**S** - Flusso pioggia a 2 bar - Rain effect flow at 2 bar - Jet pluie à 2 bar - Regenausfluß aus 2 bar

**F** - Flusso cascata a 2 bar - Waterfall flow at 2 bar - Jet cascade à 2 bar - Wasserfallausfluß aus 2 bar

**E** - Percorso cavo LED (non forare) - LED cable direction (do not drill) - Direction cable LED (ne pas trouser) - Richtung des LED Kabels (nicht bohren)

# petalo

## OP 300 0 / OP 301 0 / OP 300 0L / OP 301 0L

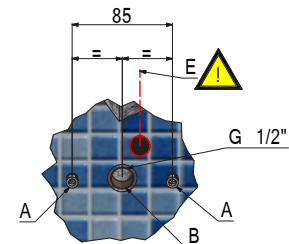
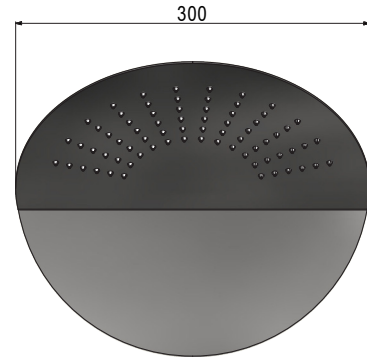
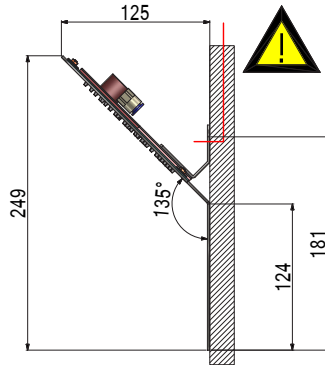
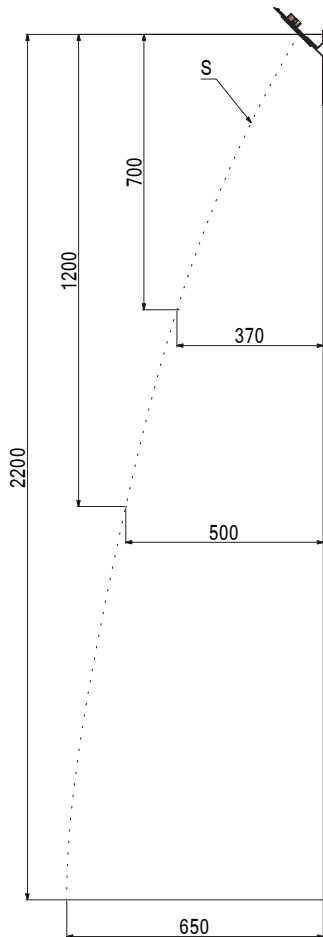
acciaio inox | stainless steel | acier inox | Edelstahl

consumo idrico effetto pioggia: 12 litri/minuto | average flow rate rain effect: 12 liters/minute

consommation effet pluie: 12 L/min | Durchflussmenge Regenbrause: 12 L/min

pressione minima di esercizio: 1,5 bar dinamici | minimum dynamic pressure required: 1,5 bar (21,7 psi)

pression minimale 1,5 bar | mindest Druck aus 1,5 bar



Soffione anticalcare Ø 300 mm spazzolato con fissaggio a muro.

Ø 300 mm round brushed antiscaling shower head with wall fixing device.

Pomme de tête anticalcaire brossée Ø 300 mm avec fixation au mur.

Verkalkungsfreier Duschkopf zur Wandmontage Ø 300 mm gebürstet mit Wandbefestigung.



### NOTE | NOTES

*Distanza indicativa soffione - piatto doccia 2200 mm | Approximate distance shower head - shower tray 2200 mm*

*Distance suggérée pomme de tête - receveur de douche 2200 mm | Ungefährer Abstand Kopfbrause - Duschwanne 2200 mm*

**A** - Tassello - Boss - Cheville - Dübel

**B** - Uscita acqua 1/2" G - 1/2" G water connection - Sortie eau 1/2" G - Wasserausschluss G 1/2"

**S** - Flusso pioggia a 2 bar - Rain effect flow at 2 bar - Jet pluie à 2 bar - Regenausfluß aus 2 bar

**E** - Percorso cavo LED (non forare) - LED cable direction (do not drill) - Direction cable LED (ne pas trouser) - Richtung des LED Kabels (nicht bohren)

L'azienda si riserva il diritto di apportare senza preavviso modifiche ai prodotti in qualsiasi momento | Manufacturer reserves the right to change products at any time without notice.  
L'usine se réserve à tout moment de modifier les caractéristiques des produits | Der Hersteller behält sich vor, alle Produkte ohne vorherige Mitteilung zu ändern.

**acciaio inox | stainless steel | acier inox | Edelstahl**

consumo idrico effetto pioggia: 12 litri/minuto | average flow rate rain effect: 12 liters/minute

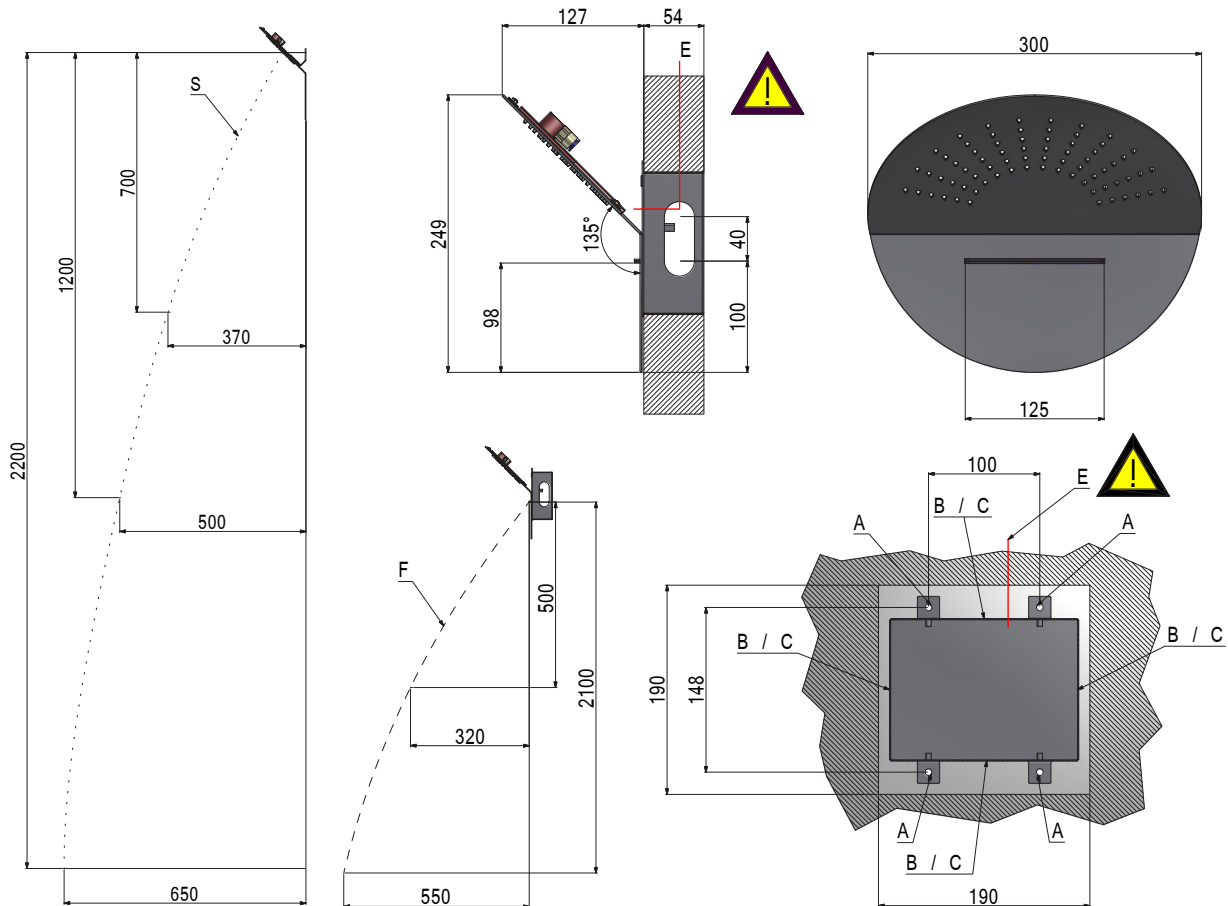
consommation effet pluie: 12 L/min | Durchflussmenge Regenbrause: 12 L/min

consumo idrico cascata: 16 litri/minuto | average flow rate waterfall: 16 liters/minute

consommation cascade: 16 L/min | Durchflussmenge Wasserfall: 16 L/min

pressione minima di esercizio: 1,5 bar dinamici | minimum dynamic pressure required: 1,5 bar (21,7 psi)

pression minimale 1,5 bar | mindest Druck aus 1,5 bar



Soffione anticalcare Ø 300 mm lucido con cascata e kit per fissaggio a muro.

Ø 300 mm round mirror polished antiscala shower head with waterfall and wall support bracket.

Pomme de tête anticalcaire brillant Ø 300 mm avec cascade et kit pour fixation au mur.

Verkalkungsfreier Duschkopf zur Wandmontage Ø 300 mm poliert mit Wasserfall und Wandbefestigung.



### NOTE | NOTES

*Distanza indicativa soffione - piatto doccia 2200 mm | Approximate distance shower head - shower tray 2200 mm*

*Distance suggérée pomme de tête - receveur de douche 2200 mm | Ungefährer Abstand Kopfbrause - Duschwanne 2200 mm*

**A** - Zanca di fissaggio da cementare - Anchor bracket to be cemented - Patte de fixation à cimenter - Befestigung zu verkitten

**B / C** - Ingressi alimentazione pioggia + cascata - Rain and waterfall water inlets - Connections pluie et cascade - Regen- und Wasserfallanschlüsse

**S** - Flusso pioggia a 2 bar - Rain effect flow at 2 bar - Jet pluie à 2 bar - Regenausfluß aus 2 bar

**F** - Flusso cascata a 2 bar - Waterfall flow at 2 bar - Jet cascade à 2 bar - Wasserfallausfluß aus 2 bar

**E** - Percorso cavo LED (non forare) - LED cable direction (do not drill) - Direction cable LED (ne pas trouser) - Richtung des LED Kabels (nicht bohren)

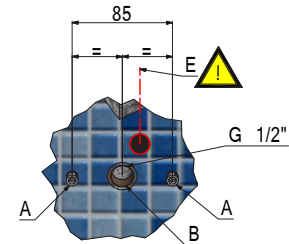
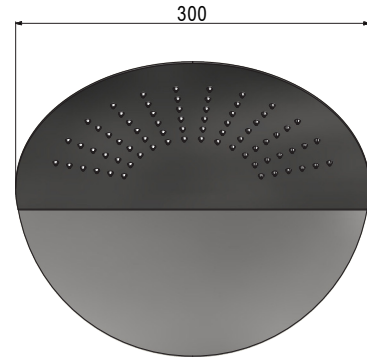
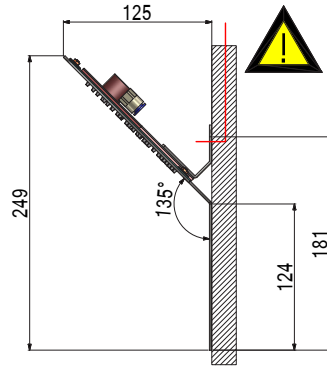
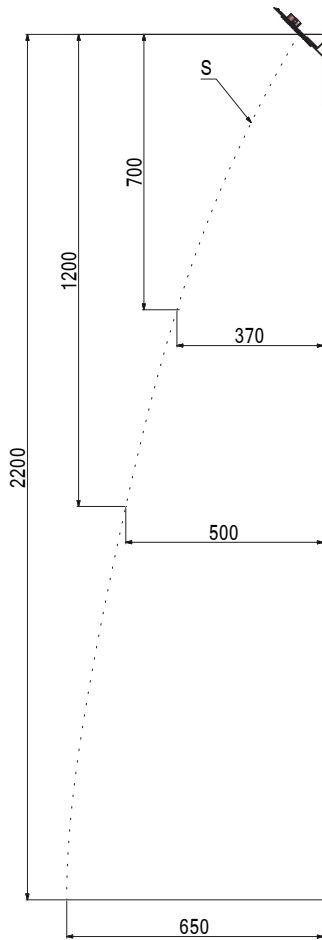
acciaio inox | stainless steel | acier inox | Edelstahl

consumo idrico effetto pioggia: 12 litri/minuto | average flow rate rain effect: 12 liters/minute

consommation effet pluie: 12 L/min | Durchflussmenge Regenbrause: 12 L/min

pressione minima di esercizio: 1,5 bar dinamici | minimum dynamic pressure required: 1,5 bar (21,7 psi)

pression minimale 1,5 bar | mindest Druck aus 1,5 bar



Soffione anticalcare Ø 300 mm lucido con fissaggio a muro.

Ø 300 mm round mirror polished antiscala shower head with wall fixing device.

Pomme de tête anticalcaire brillant Ø 300 mm avec fixation au mur.

Verkalkungsfreier Duschkopf zur Wandmontage Ø 300 mm poliert mit Wandbefestigung.



### NOTE | NOTES

*Distanza indicativa soffione - piatto doccia 2200 mm | Approximate distance shower head - shower tray 2200 mm*

*Distance suggérée pomme de tête - receveur de douche 2200 mm | Ungefährer Abstand Kopfbrause - Duschwanne 2200 mm*

**A** - Tassello - Boss - Cheville - Dübel

**B** - Uscita acqua 1/2" G - 1/2" G water connection - Sortie eau 1/2" G - Wasserausschluss G 1/2"

**S** - Flusso pioggia a 2 bar - Rain effect flow at 2 bar - Jet pluie à 2 bar - Regenausfluß aus 2 bar

**E** - Percorso cavo LED (non forare) - LED cable direction (do not drill) - Direction cable LED (ne pas trouser) - Richtung des LED Kabels (nicht bohren)