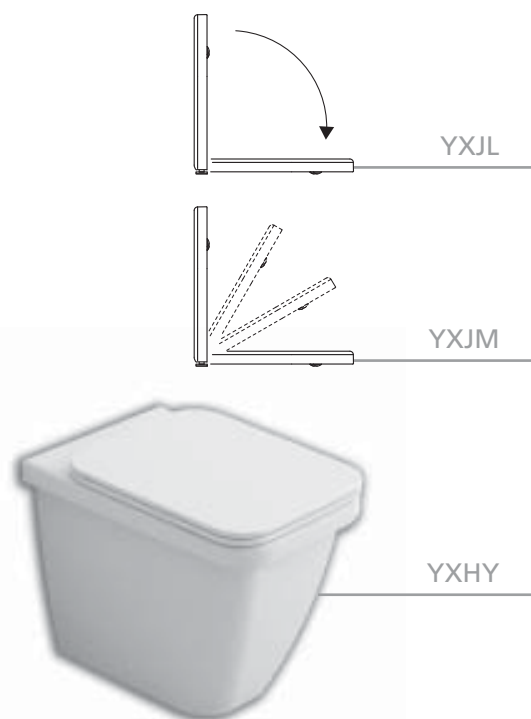


ERIKA pro Q

vaso filo muro scarico universale
back to wall universal outlet wc



Vaso filo muro scarico universale. Curva tecnica (YH17) inclusa. Sedile frenato in termoindurente (YXJM) oppure sedile in termoindurente (YXJL) e fissaggio orizzontale (Y0IQ) da ordinare separatamente. Abbinabile alle cassette Monolith attacco posteriore (Y0MK) e attacco laterale alto (Y0YN).

Back to wall universal outlet wc. PVC s'trap (YH17) included. Thermosetting soft close seat cover (YXJM) or thermosetting seat cover (YXJL) and horizontal fixing (Y0IQ) to be ordered separately. Combined with Monolith cisterns: back inlet cistern (Y0MK) and side inlet (Y0YN).



345x530 mm • 30 kg

