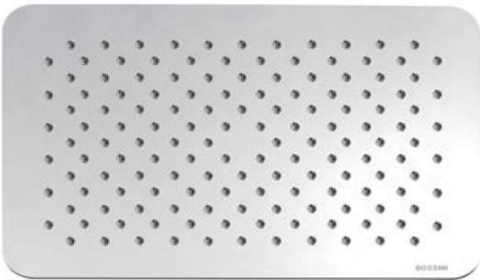
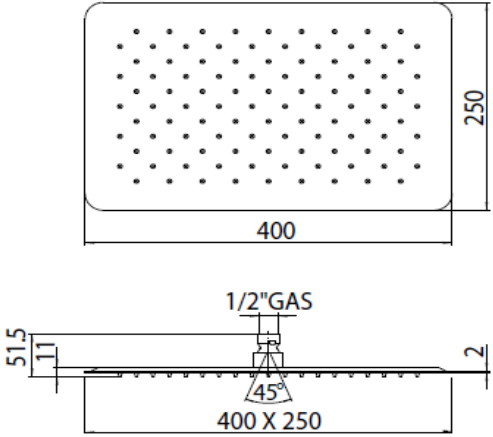


	<b>SCHEDA TECNICA</b> TECHNICAL SHEET	Date: 10/04/2017	Rev/0

<b>Codice / Code:</b> <b>INI006</b>	<b>Descrizione / description:</b> Soffione Twiggly autopulente 400x250 mm con snodo 1/2" F Twiggly shower head 400x250 mm with 1/2" F swivel ball – Easy-Clean
--	--

<b>Foto / image</b> 	<b>Disegni / drawings</b> 
--	---

<b>Grafico di portata / Flow rate diagram</b> <table border="1" style="width: 100%; text-align: center;"> <thead> <tr> <th></th> <th>PIOGGIA</th> </tr> </thead> <tbody> <tr><td>0</td><td>0,0</td></tr> <tr><td>0,5</td><td>7,1</td></tr> <tr><td>1</td><td>10,0</td></tr> <tr><td>1,5</td><td>12,0</td></tr> <tr><td>2</td><td>13,2</td></tr> <tr><td>2,5</td><td>14,0</td></tr> <tr><td>3</td><td>14,2</td></tr> <tr><td>3,5</td><td>14,3</td></tr> <tr><td>4</td><td>14,5</td></tr> <tr><td>4,5</td><td>14,6</td></tr> <tr><td>5</td><td>14,7</td></tr> <tr> <td>pressione bar</td> <td>portata L/min</td> </tr> </tbody> </table>		PIOGGIA	0	0,0	0,5	7,1	1	10,0	1,5	12,0	2	13,2	2,5	14,0	3	14,2	3,5	14,3	4	14,5	4,5	14,6	5	14,7	pressione bar	portata L/min	<div style="border: 2px solid red; padding: 10px; color: red;">                     Portata <b>minima</b> consigliata                      per un buon funzionamento:                       Min flow rate:  <b>12 L/MIN</b> </div>	
	PIOGGIA																											
0	0,0																											
0,5	7,1																											
1	10,0																											
1,5	12,0																											
2	13,2																											
2,5	14,0																											
3	14,2																											
3,5	14,3																											
4	14,5																											
4,5	14,6																											
5	14,7																											
pressione bar	portata L/min																											

<b>MATERIALI / materials</b> Stainless steel, rubber.
--

<b>CARATTERISTICHE IDRAULICHE / hydraulic features</b>					
	pressione <i>pressure</i>	portata <i>flow rate</i>	temperatura <i>temperature</i>	<i>solo per miscelatori termostatici</i> <i>only for thermostatic mixers</i>	
min	<b>1 bar</b>	--	--	Blocco di sicurezza <i>safety lock</i>	/
max	<b>5 bar</b>	--	<b>&lt;70°C</b>	Temperatura acqua fredda <i>cold water temperature</i>	/
consigliata <i>recommended</i>	<b>2-3 bar</b>	<b>12 L/min</b>	<b>&lt;42°C</b>	Temperatura acqua calda <i>hot water temperature</i>	/

<b>CERTIFICAZIONI / CERTIFICATIONS:</b>
---

<b>CONFORMITA' / CONFORMITY :</b> EN 1112; Chrome plating - EN 248.
--